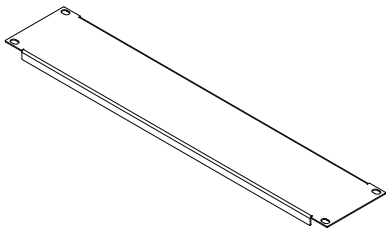

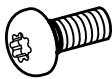

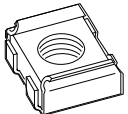


Easy Rack 2U Blanking Panel Kit ER7BP2U

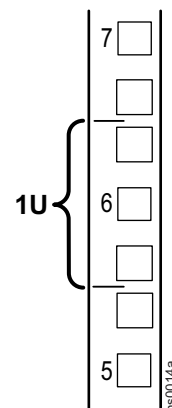
Kit Instructions

The 2U Blanking Panel covers a 2U empty space in the Easy Rack to maintain proper airflow to the installed equipment.

ER7BP2U Inventory	Tools required (not provided)
 <p>2U Blanking Panel (10)</p>	 <p>Torx® wrench</p>
 <p>Screw M6 x 12 Pan Head T30 (40)</p>	 <p>Cage nut tool</p>
 <p>Caged Nut M6 14/16 SWG (40)</p>	

Proper location in the rack for the cage nuts:

1. Locate the top and bottom U space on the vertical mounting rails. Every third hole on the mounting rails is numbered to indicate the middle of a U space.
2. Install the cage nuts on the interior of the vertical mounting rail; then install the shelf.



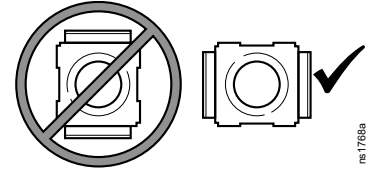
⚠ CAUTION

FALLING EQUIPMENT HAZARD

Do NOT install cage nuts vertically with the tabs engaging the top and bottom of the square hole.

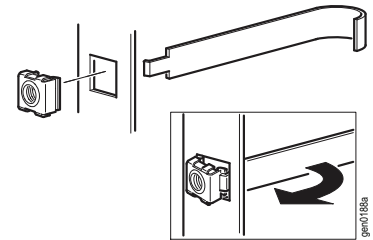
Failure to follow these instructions can result in injury or equipment damage.

- Install cage nuts horizontally, with the tabs engaging the sides of the square hole.
- Install the cage nuts on the interior of the vertical mounting rail.



Install the cage nut:

1. From the inside of the rack, insert the cage nut into the square hole.
2. Hook one tab of the cage nut assembly through the far side of the hole.
3. Place the cage nut tool on the other side of the cage nut and pull to snap into position.

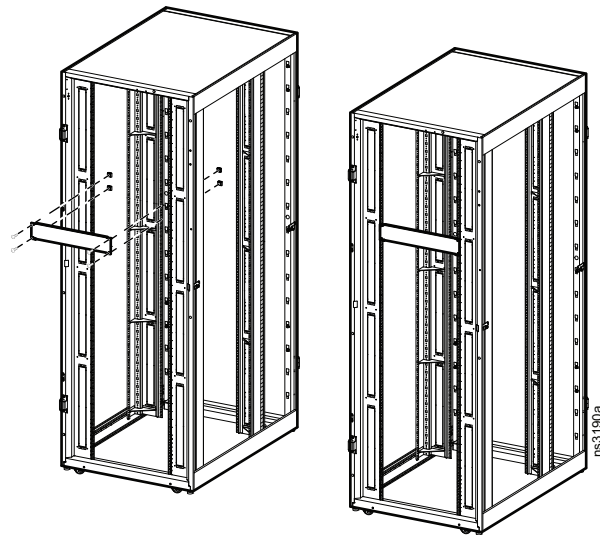


Remove the cage nut:

1. Remove any attached screw.
2. Grasp the cage nut, squeeze the tabs on the sides, and push to release it from the square hole.

Install the Blanking panel:

The 2U Blanking panel can be installed in an empty 2U space in your Easy Rack. Each blanking panel is installed to the vertical mounting rails using four (4) M6 x 12 Pan head screws and four (4) cage nuts.



The Easy Rack in the illustration above is shown without doors or side panels for clarity.