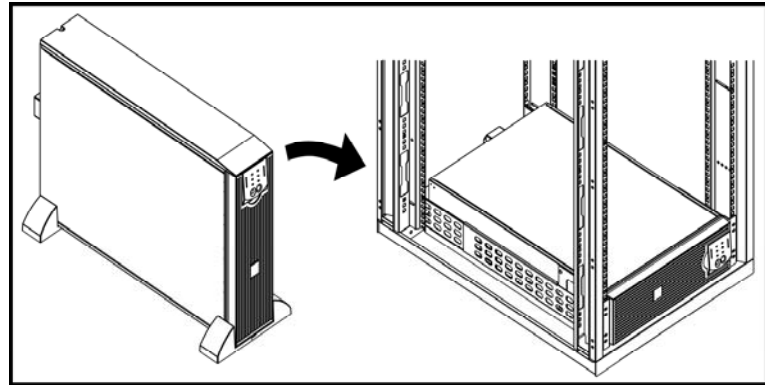


### SURT3000/5000/6000 VA 3U



3000/5000 VA models	
8	
8	
4	
2	
2	
2	
1	

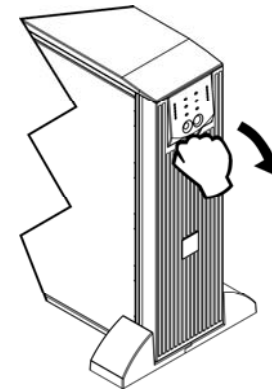
### Installation Guide - Tower to SURTRK2 Rack Conversion

**1**

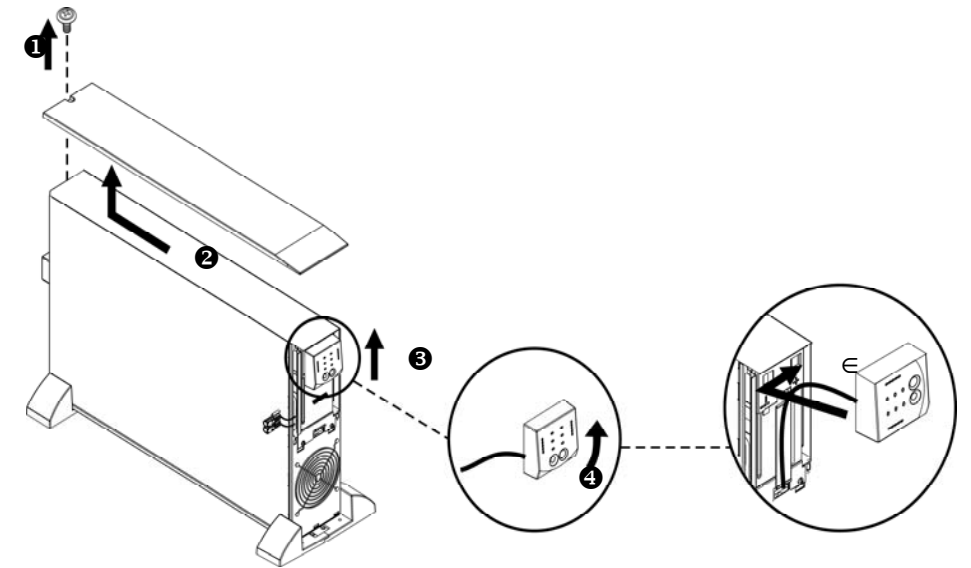
For units purchased in tower configuration, begin here.

For units purchased in rack-mount configuration, begin with step **12** of the rack-mount instructions on the reverse side of this sheet.

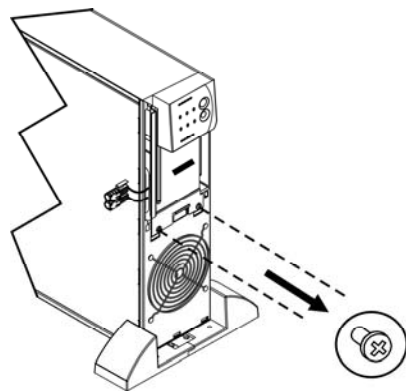
begin with step **12** of the rack-mount instructions on the reverse side of this sheet.



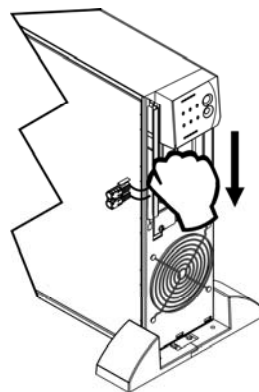
**2**



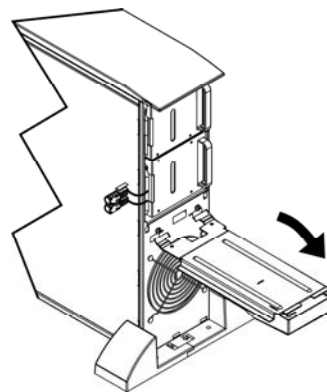
**3**



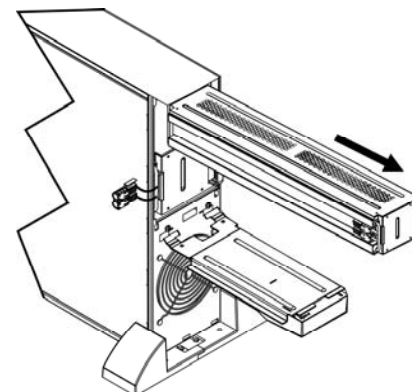
**4**



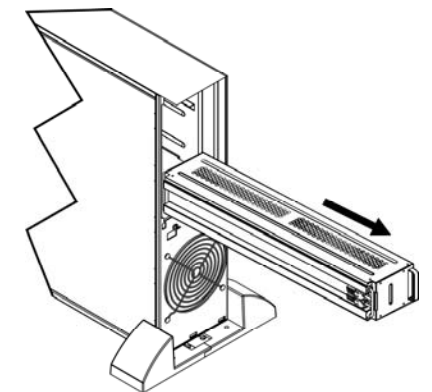
**5**



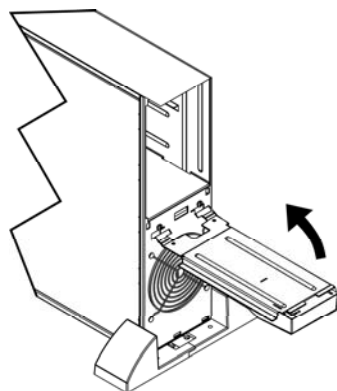
**6**



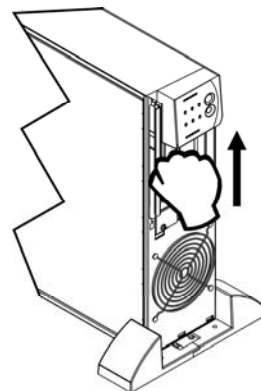
**7**



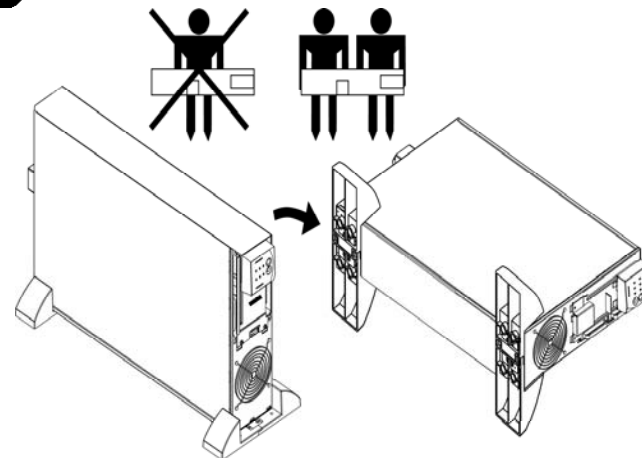
**8**



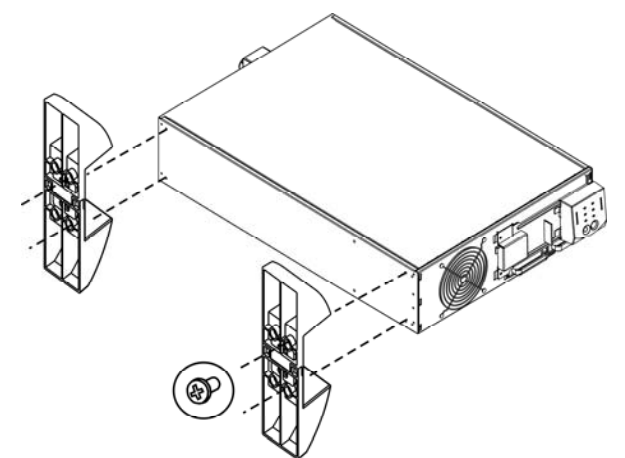
**9**



**10**

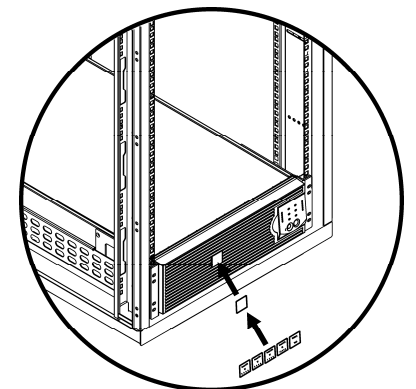
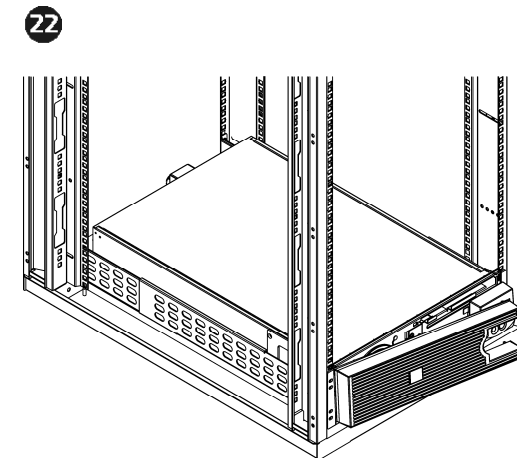
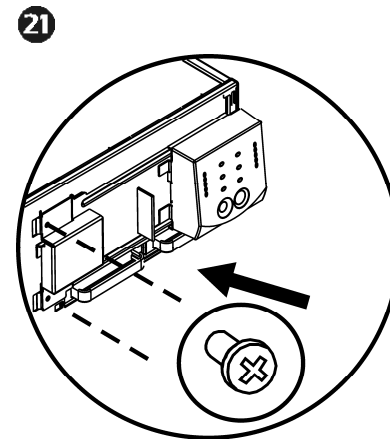
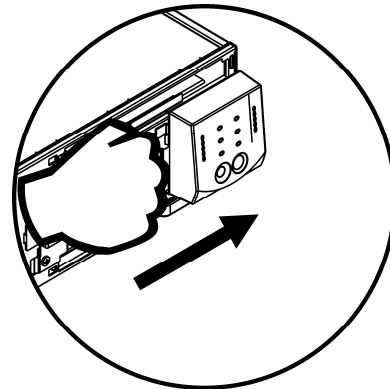
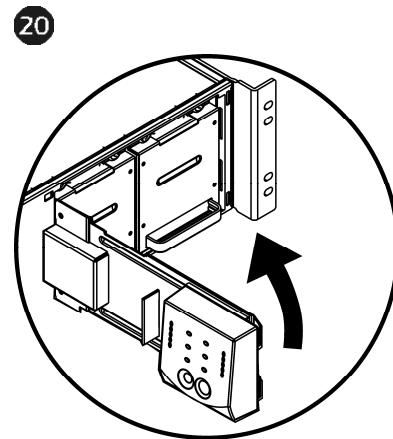
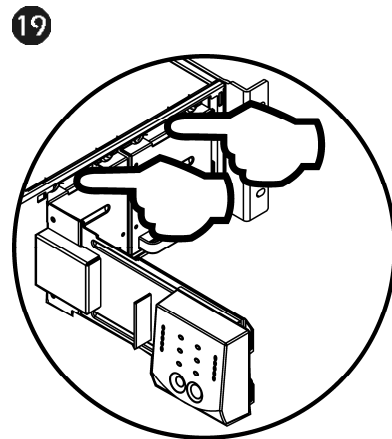
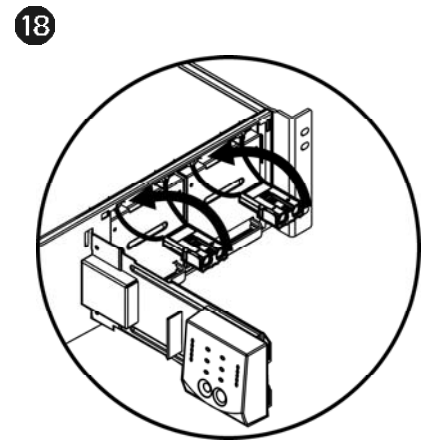
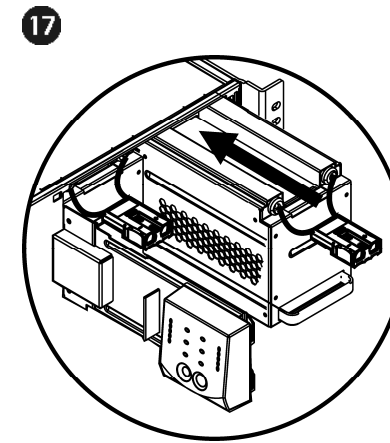
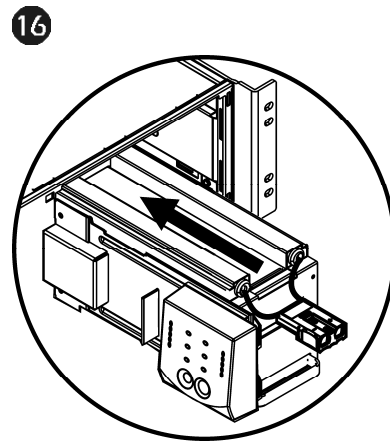
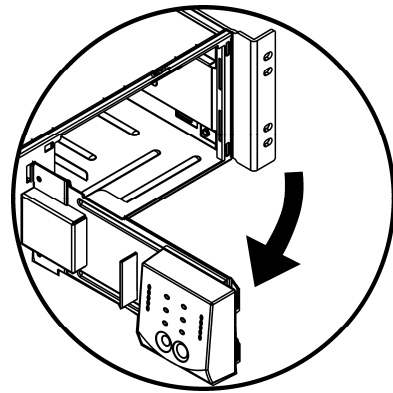
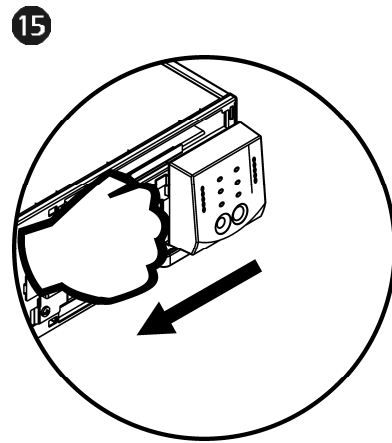
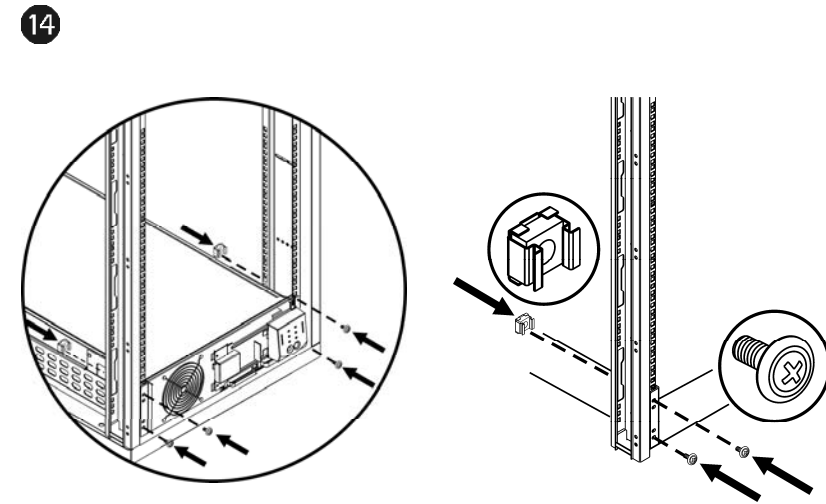
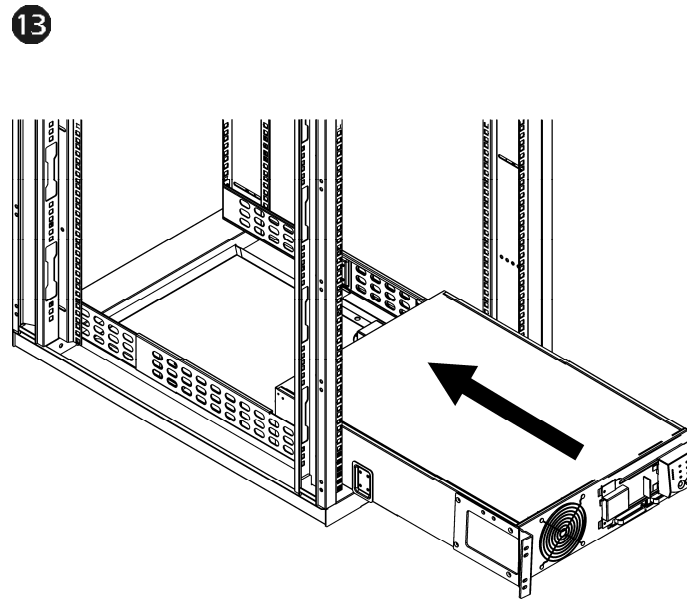
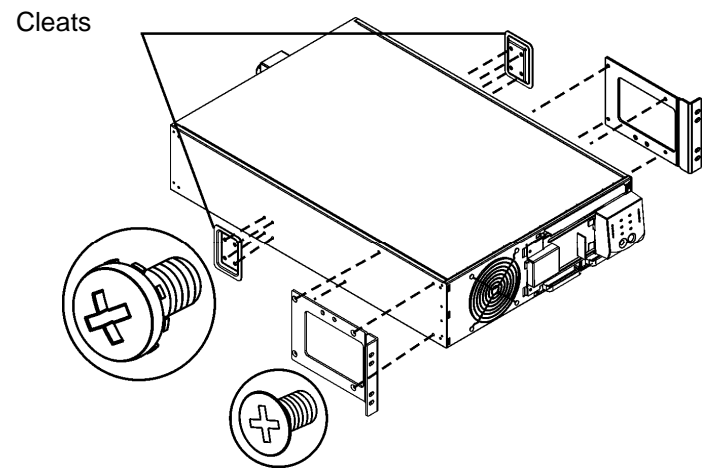


**11**



If using a rack-mount configuration begin here.

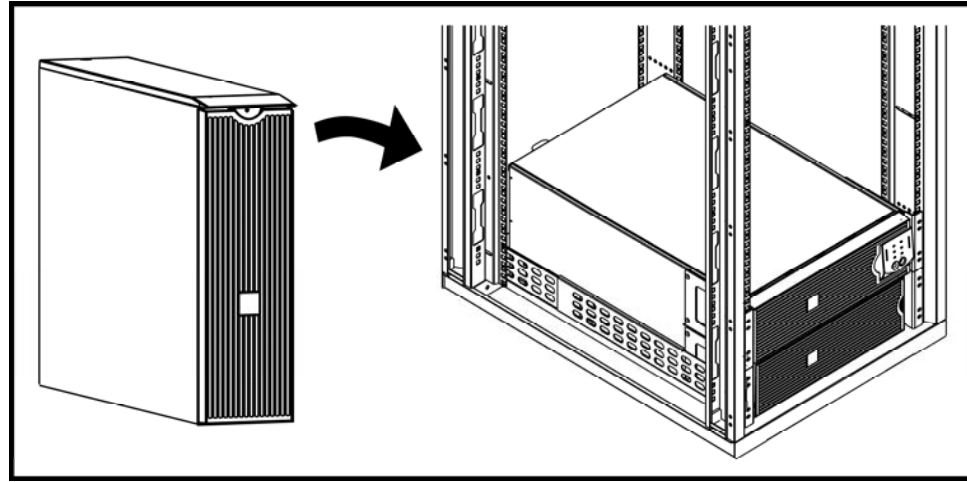
- 12** NOTE:  
Cleats will be factory installed on units purchased for rack-mount configuration.



SURT192XLBP 3U/SURT48RMXLBP 2U



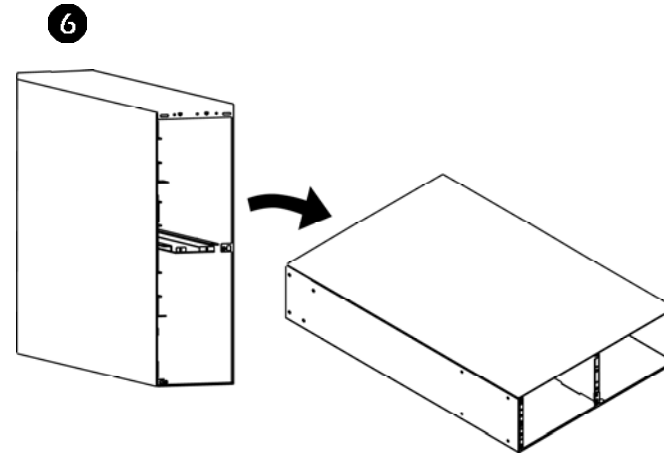
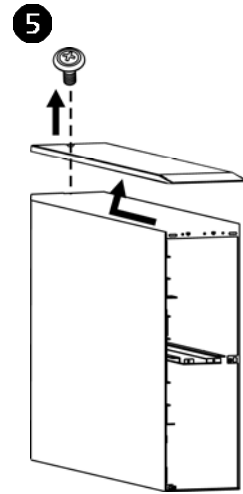
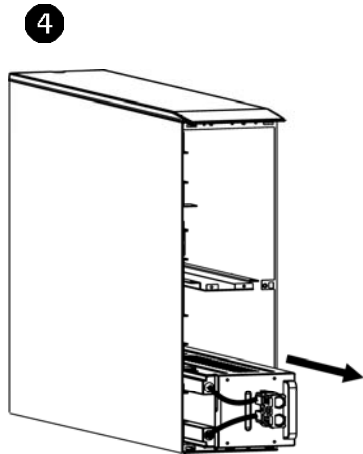
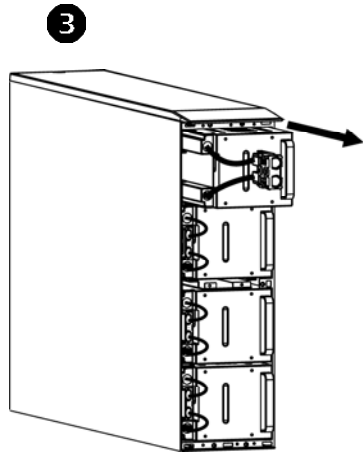
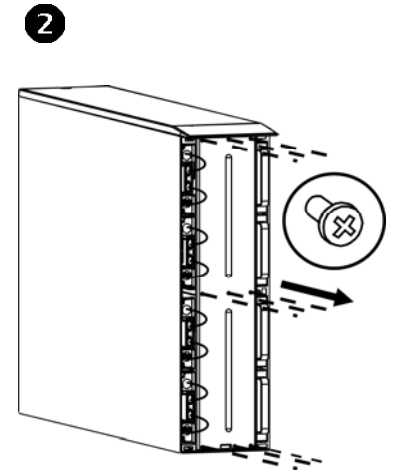
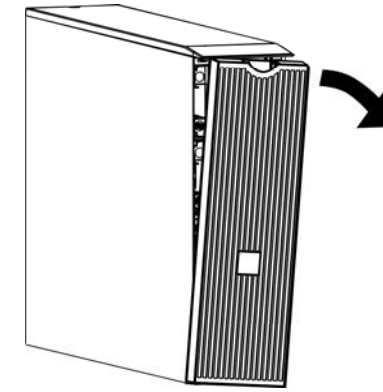
Installation Guide - Tower to SURTRK2 Rack Conversion



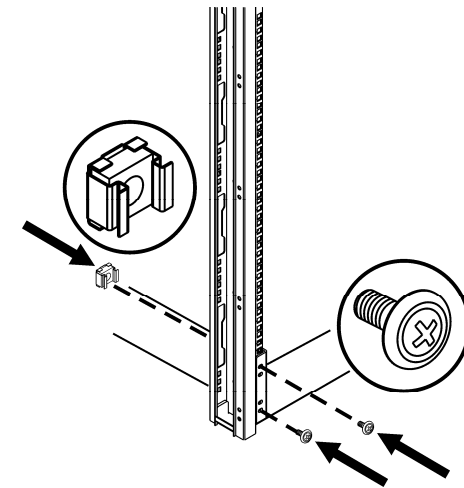
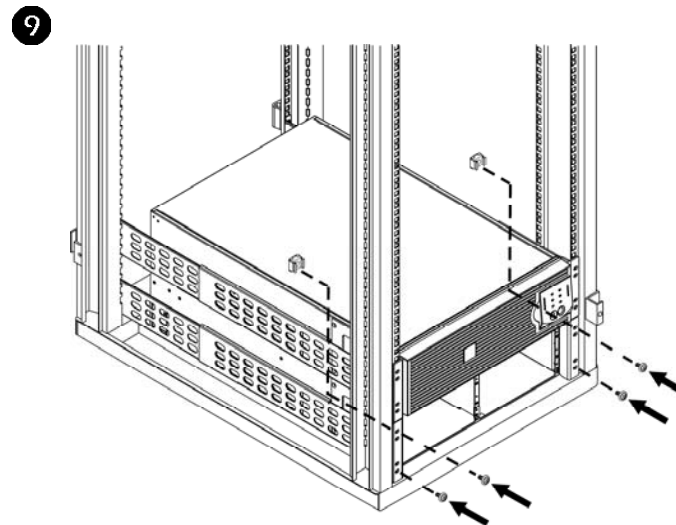
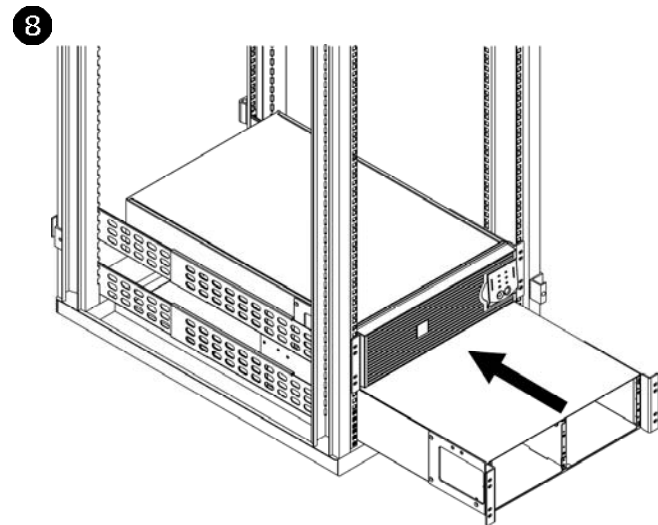
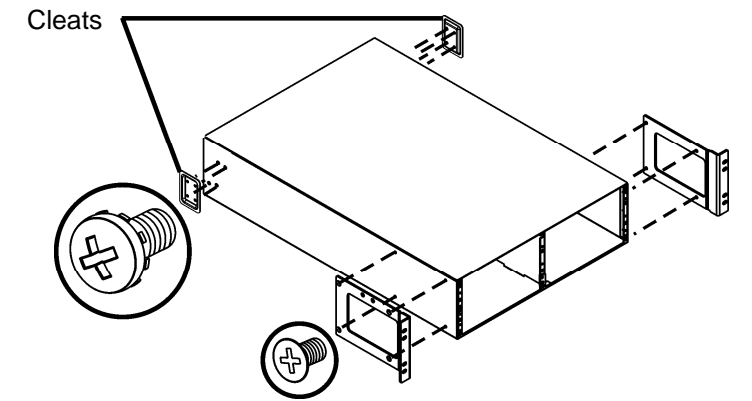
External BatteryPack	
8	
8	
4	
2	
2	
2	
1	

**1** For units purchased in tower configuration, begin here.

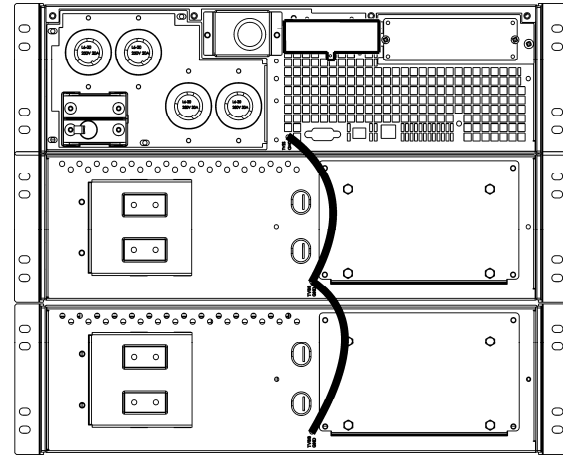
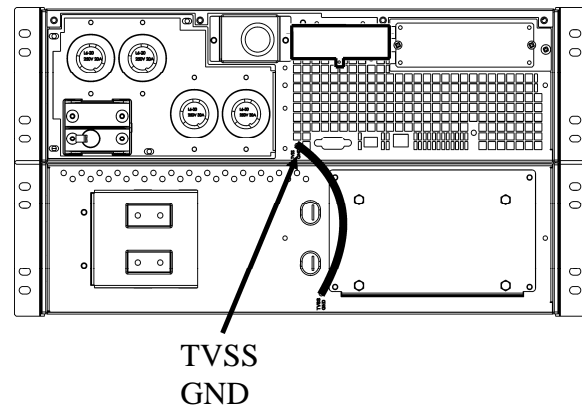
For units purchased in rack-mount configuration, begin with step **7**.



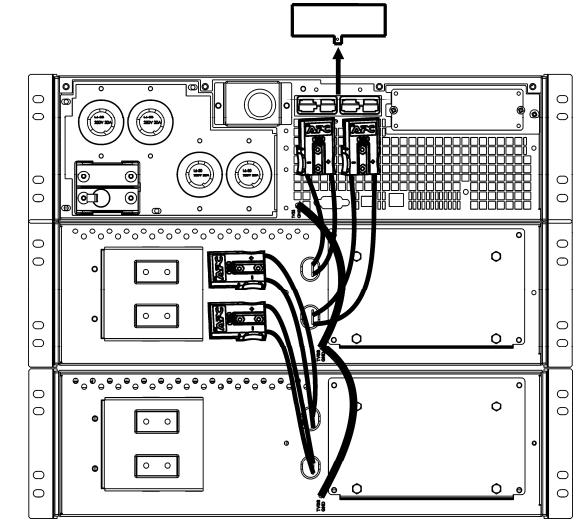
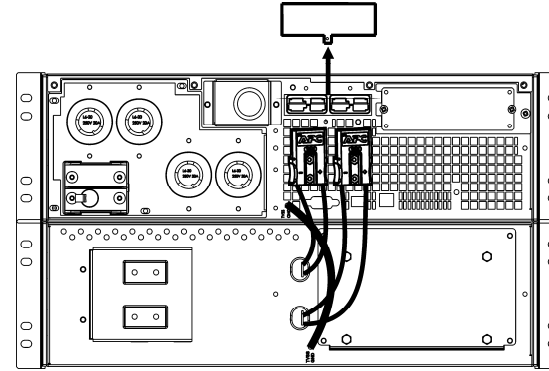
**7** If using a rack-mount configuration begin here. **NOTE:** Cleats will be factory installed on units purchased for rack-mount configuration.



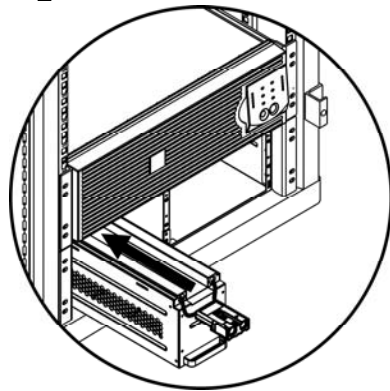
10



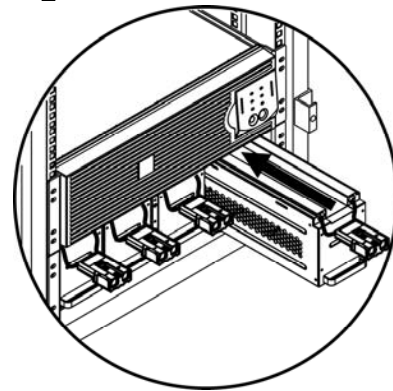
11



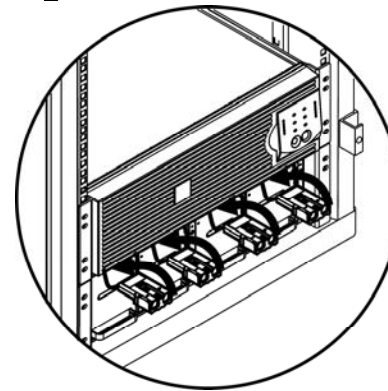
12



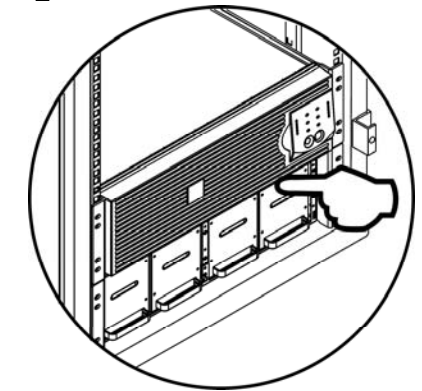
13



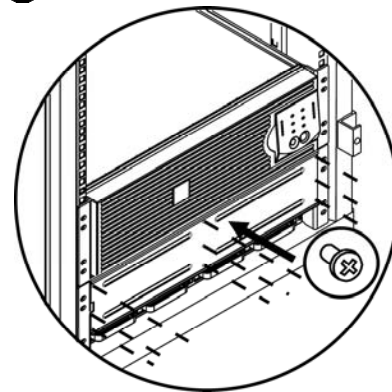
14



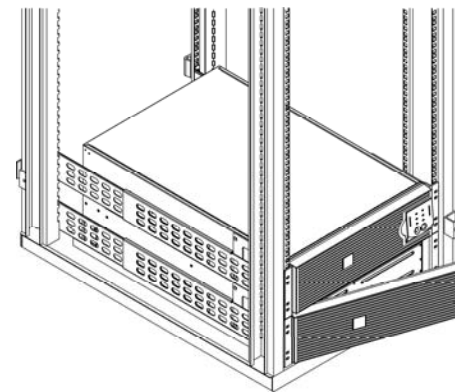
15



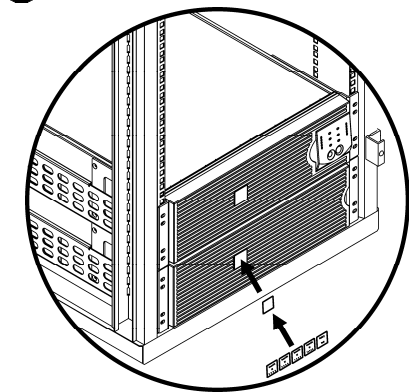
16



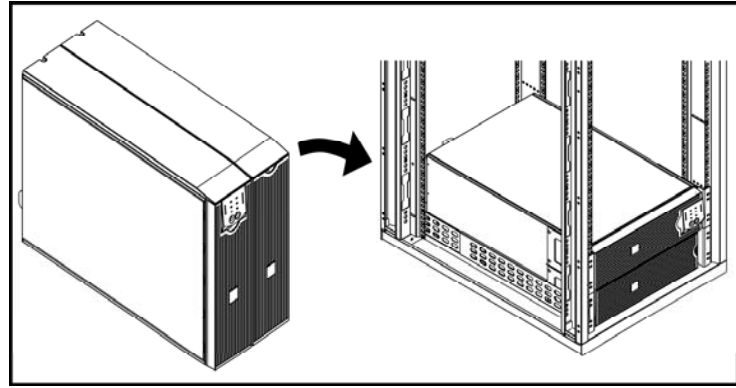
17



18



**SURT7500/8000/10000 VA 6U**



7500/10000 VA models	
8	
16	
8	
4	
2	
6	
1	

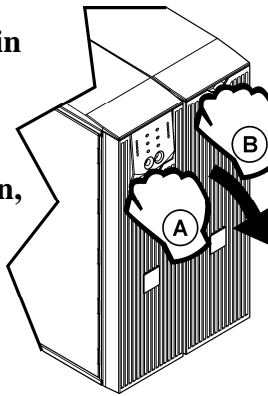


**Installation Guide - Tower to SURTRK2 Rack Conversion**

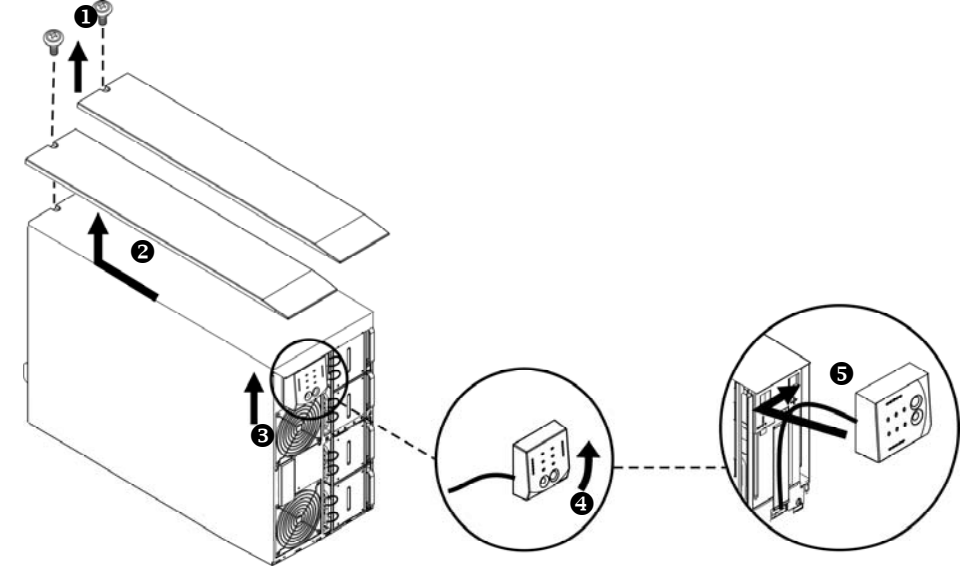
**1**

For units purchased in tower configuration, begin here.

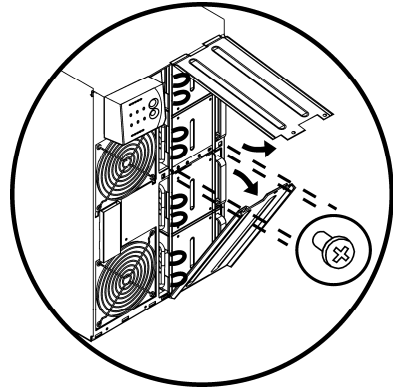
For units purchased in rack-mount configuration, begin with step **7** of the rack-mount instructions on the reverse side of this sheet.



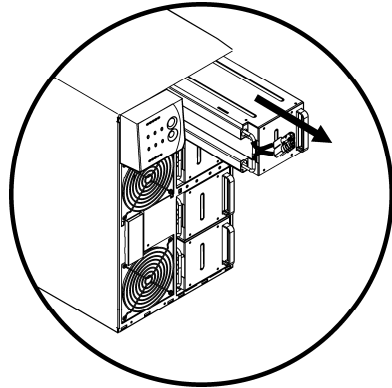
**2**



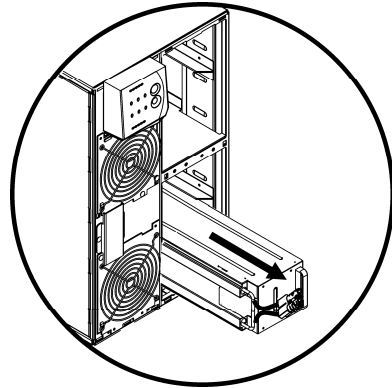
**3**



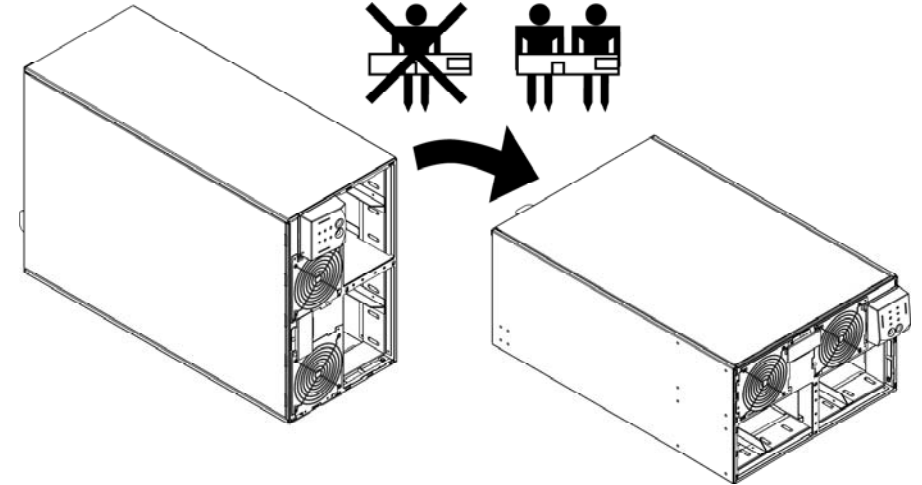
**4**



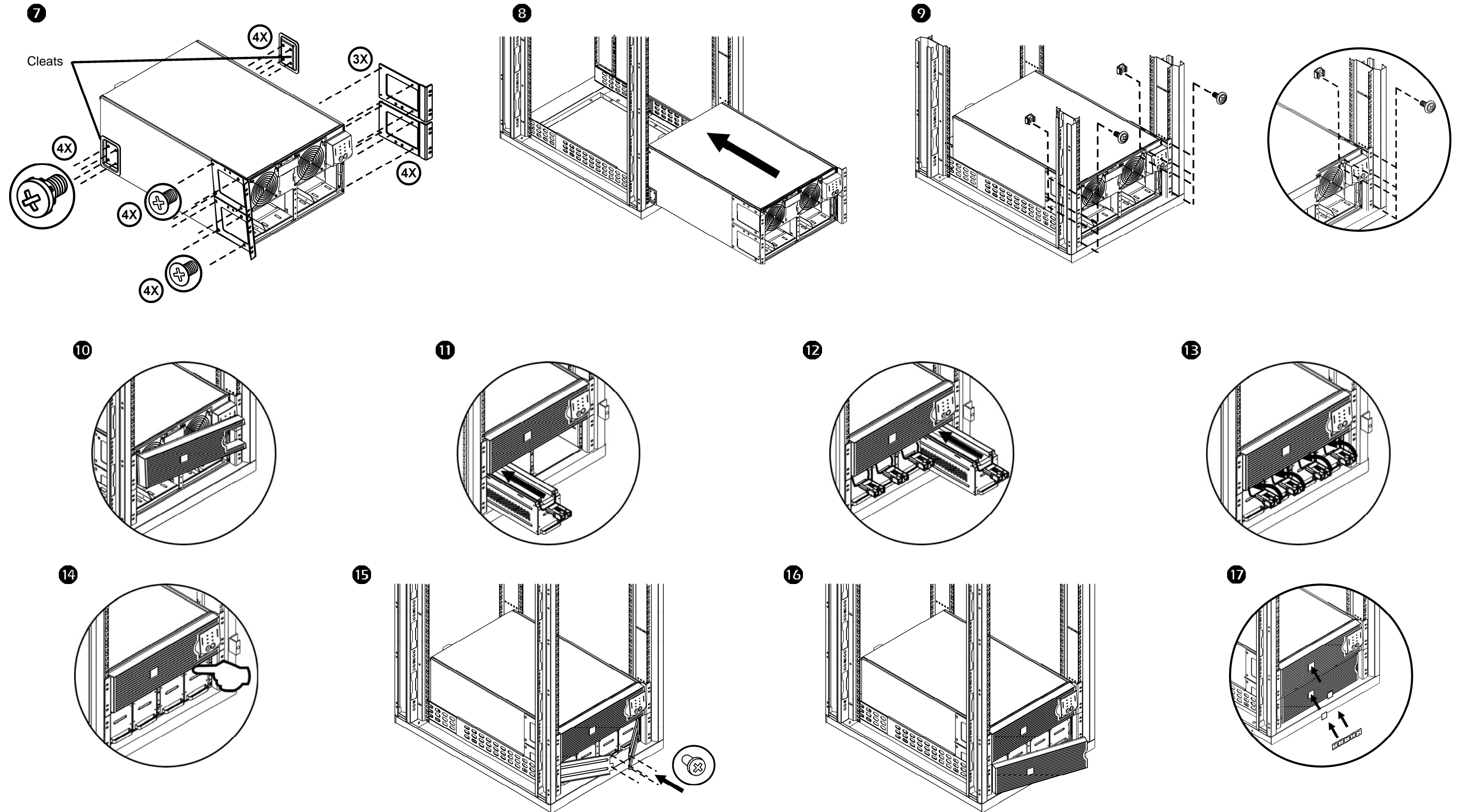
**5**



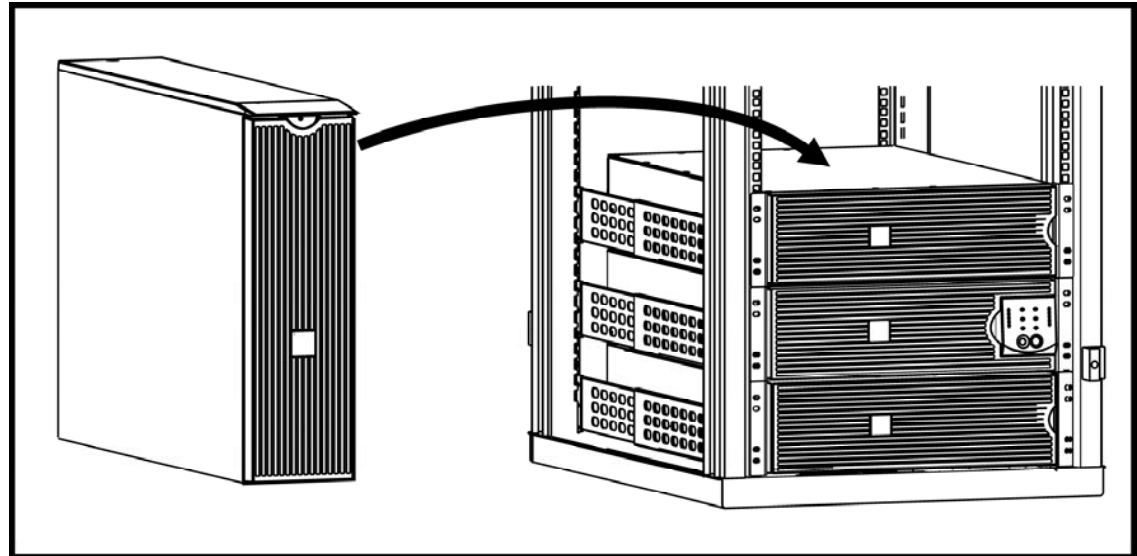
**6**



If using a rack-mount configuration begin here. NOTE: Cleats will be factory installed on units purchased for rack-mount configuration.



**Smart-UPS™ RT Transformers**  
**SURT001/SURT002/SURT003/SURT004 3U**

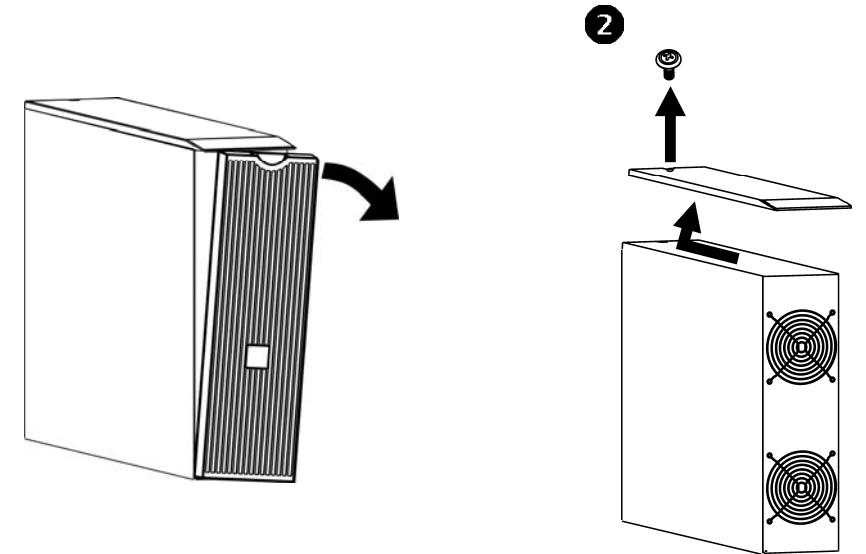


Transformer	
8	
8	
4	
2	
2	
2	
1	

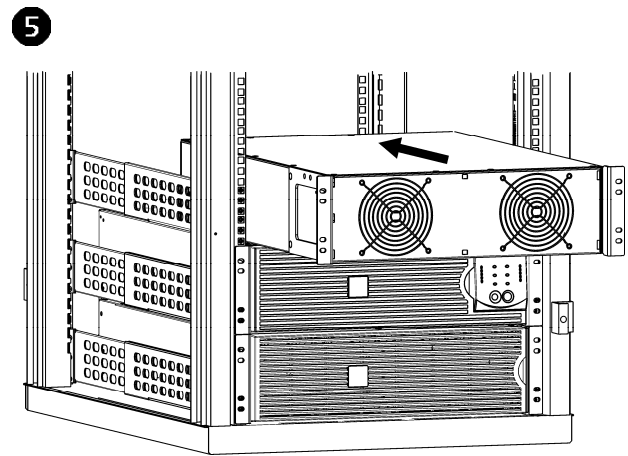
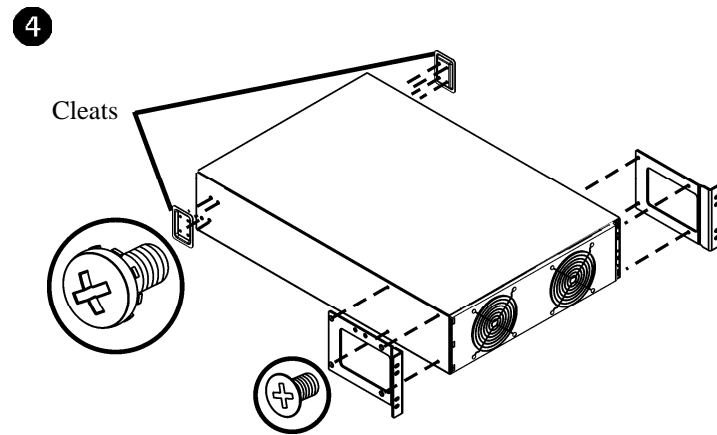
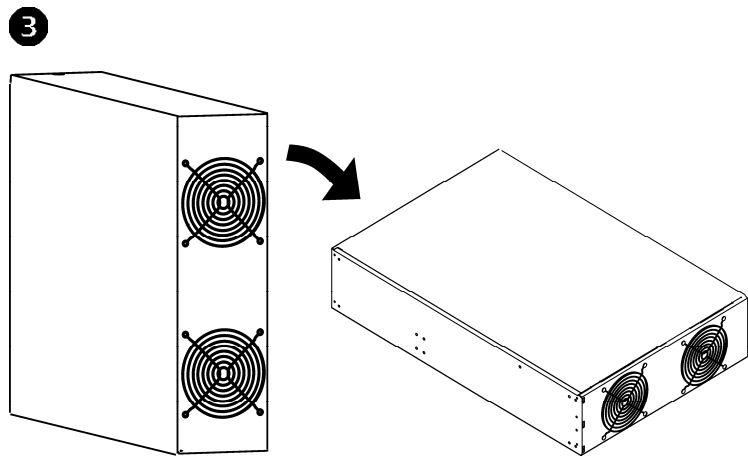
**Installation Guide - Tower to SURTRK2 Rack Conversion**

**1** For units purchased in tower configuration, begin here.

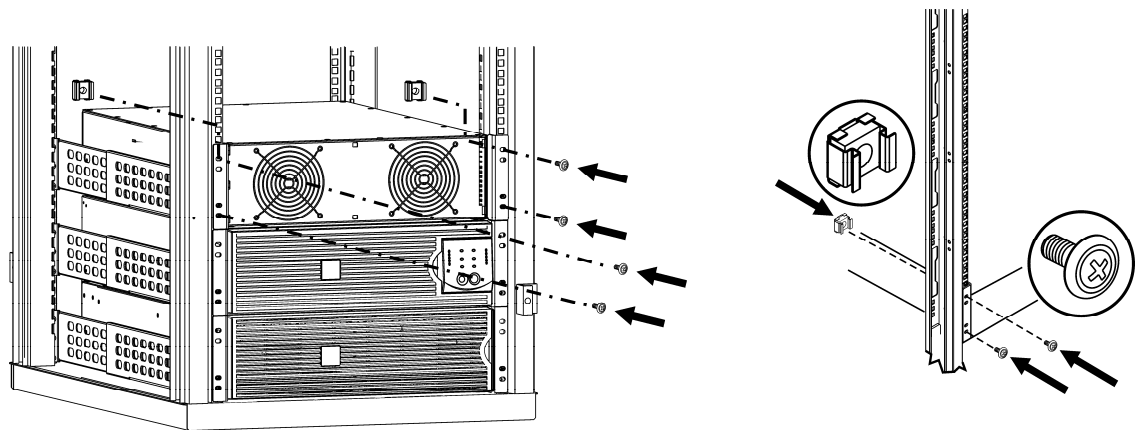
For units purchased in rack-mount configuration, begin with step **4**.



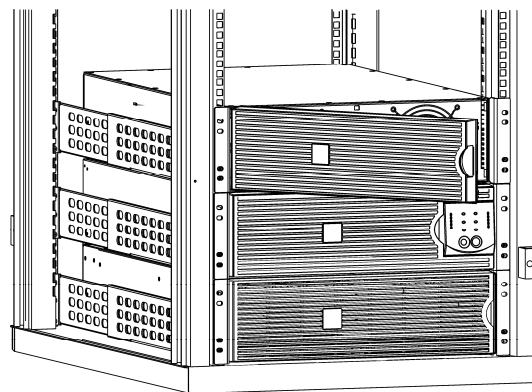
If using a rack-mount configuration begin here.



6



7



8

