



by Schneider Electric

Installation Guide Smart-UPS™ RT SRTGRK2 Tower to Rack-Mount Conversion

Important Safety Instructions

Read the instructions carefully and look at the equipment to become familiar with the device before trying to install, operate, service or maintain it. The following special messages may appear throughout this document or on the equipment to warn of potential hazards or to call attention to information that clarifies or simplifies a procedure.



The addition of this symbol to either a “Danger” or “Warning” product safety label indicates that an electrical hazard exists which will result in personal injury if the instructions are not followed.



This is the safety alert symbol. It is used to alert you to potential personal injury hazards. Obey all safety messages that follow this symbol to avoid possible injury or death.

DANGER

DANGER indicates a hazardous situation which, if not avoided, **will result in** death or serious injury.

WARNING

WARNING indicates a hazardous situation which, if not avoided, **could result in** death or serious injury.

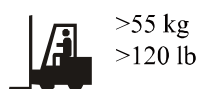
CAUTION

CAUTION indicates a hazardous situation which, if not avoided, **could result in** minor or moderate injury.

NOTICE

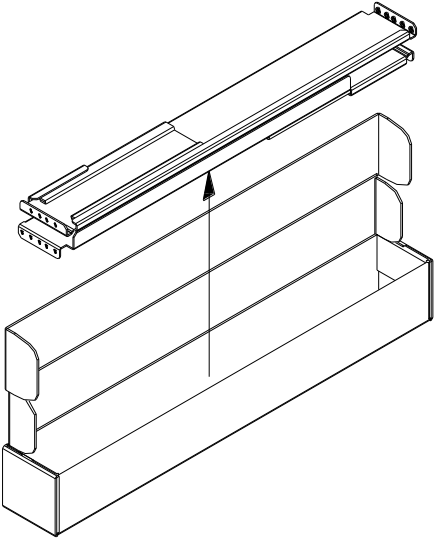



NOTICE is used to address practices not related to physical injury.

Product Handling Guidelines



Package Contents

Inspect the contents upon receipt. Notify the carrier and dealer if the unit is damaged.

<p>One Rail Kit with instructions and hardware for installing rails in a rack.</p> 	<p>Installation manual</p>  <p>(x1)</p> <p>Packing list</p>  <p>(x1)</p>	<p>M5x12 Phillips flat head screw to secure the rail to the pillar</p>  <p>(x18)</p>
---	---	---

SRTGRK2 is compatible with all the variants of the following models:

- SRTG192XLBP2

Tower to Rack-Mount Conversion of XLBP

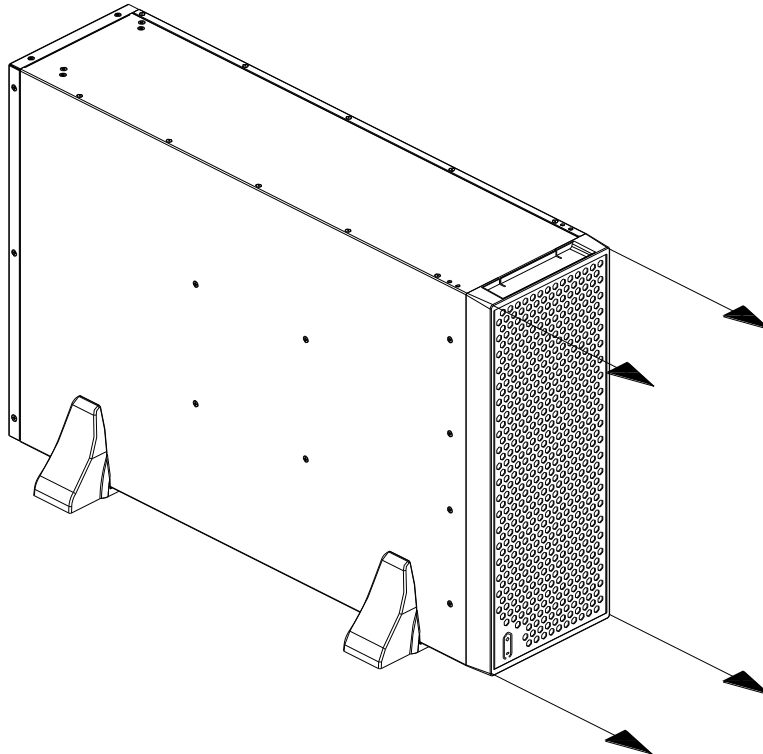
⚠ CAUTION

RISK OF FALLING OBJECTS

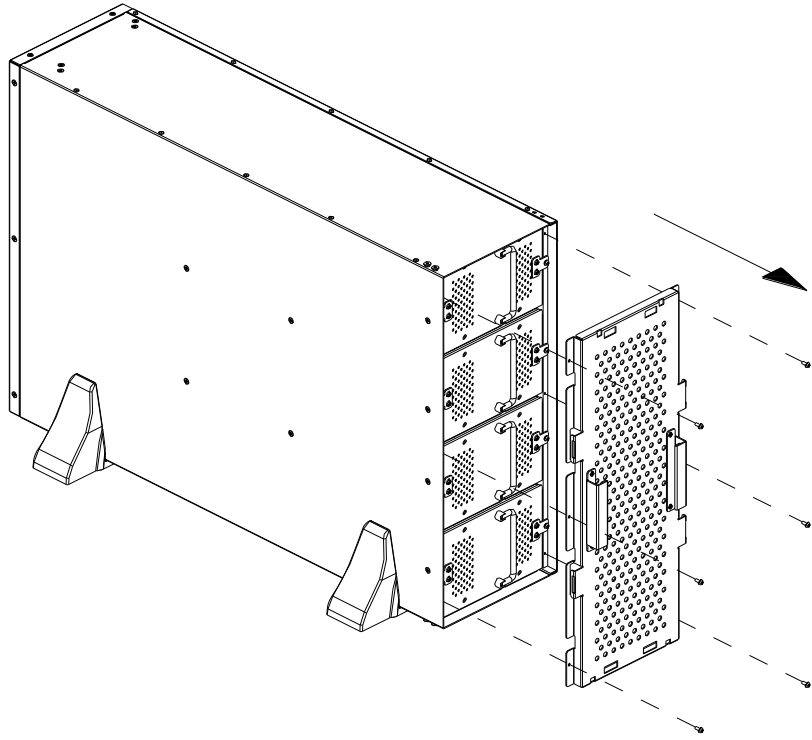
- The equipment is heavy. Each battery module weighs 24.5 kg (54 lb).
- Always practice safe lifting techniques adequate for the weight of the equipment.
- Use the battery module handle to carefully slide the battery module in or out of the unit.
- Do not use the battery module handle to lift or carry the battery module.
- Always install the XLBP at the bottom of the rack.
- Always install the XLBP below the UPS in the rack.

Failure to follow these instructions can result in equipment damage and minor or moderate injury.

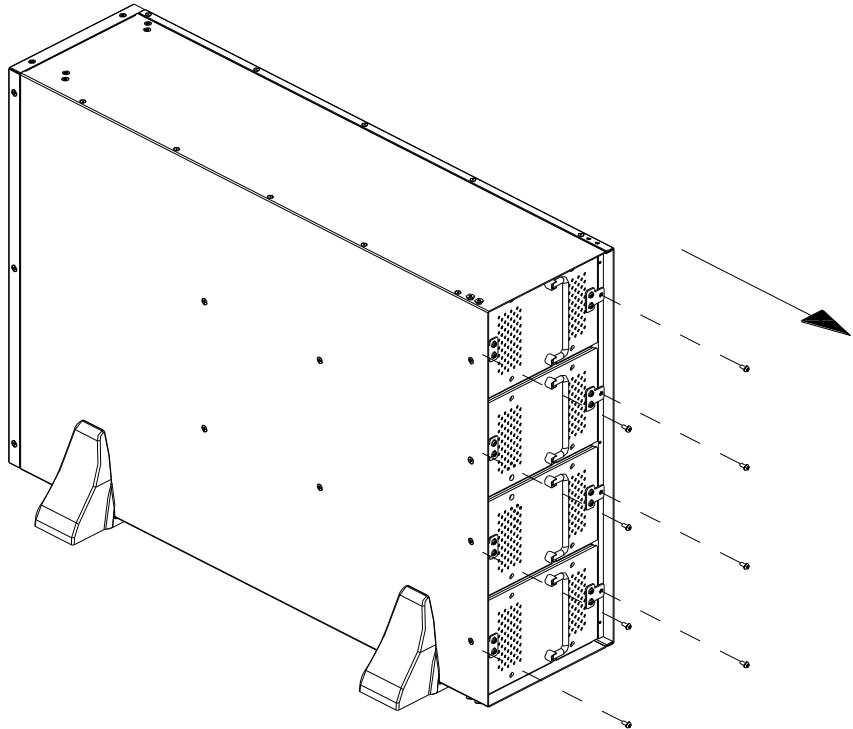
1



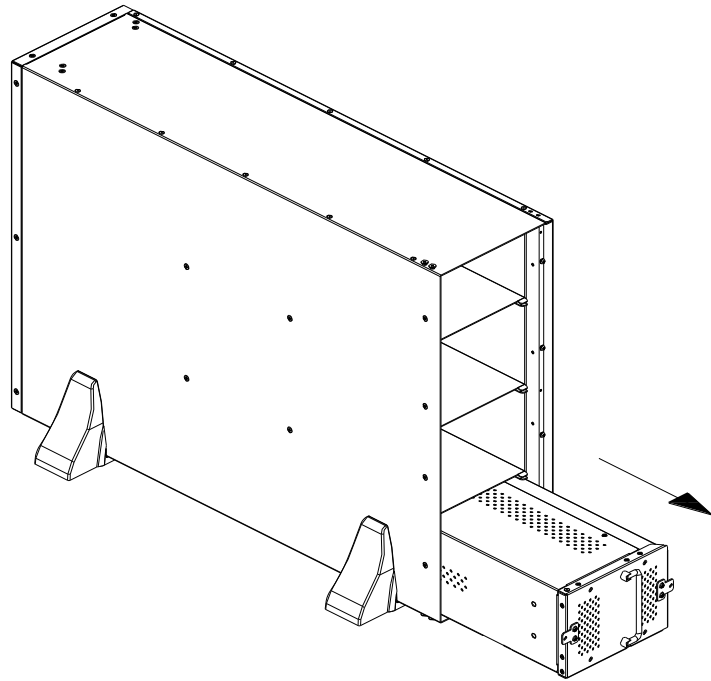
2



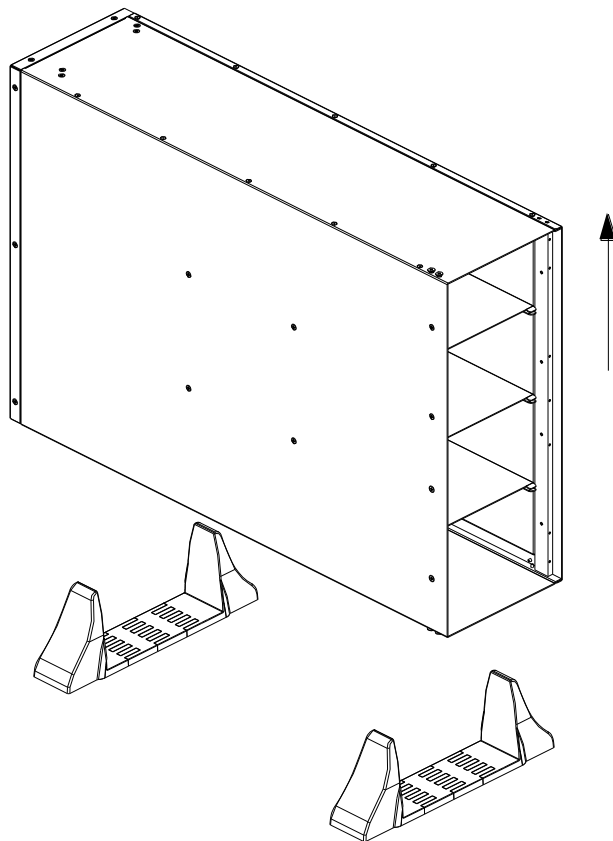
3



4



5



Install battery pack in the cabinet

The XLBP installation process is identical for all models.

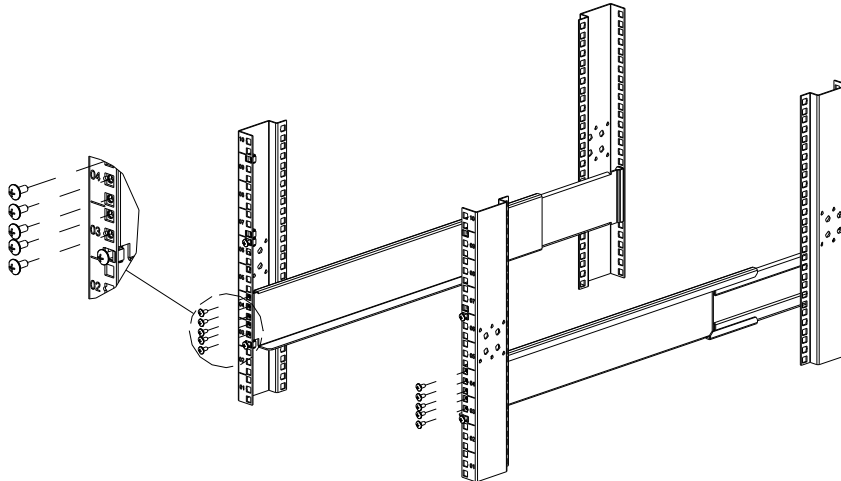
⚠ CAUTION

RISK OF FALLING OBJECTS

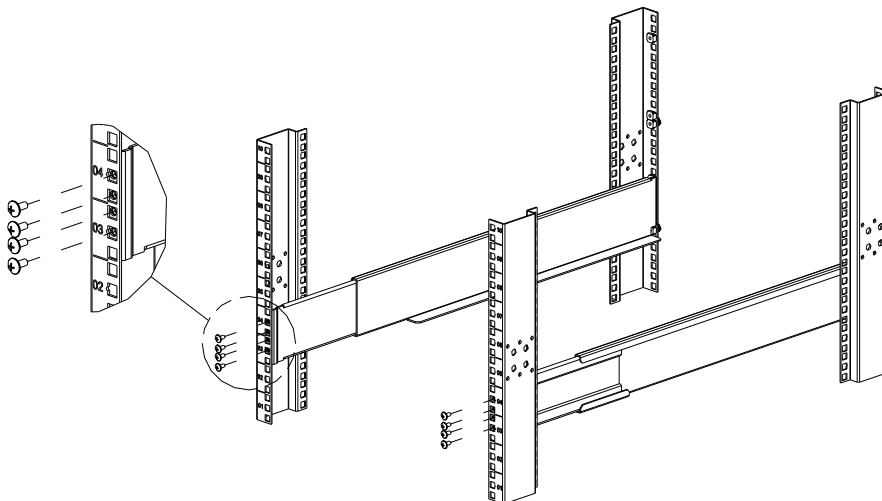
- The equipment is heavy. Always practice safe lifting techniques adequate for the weight of the equipment.
- Always use the recommended number of screws to secure rack-mount brackets to the XLBP.
- Always use the recommended number of screws to secure the XLBP to the rack.
- Always install the XLBP at the bottom of the rack.
- Always install the XLBP below the UPS in the rack.
- Use the battery module handle to slide the battery modules in or out of the XLBP.
- Do not use the battery module handle to lift or carry the battery module.

Failure to follow these instructions can result in equipment damage and minor or moderate injury.

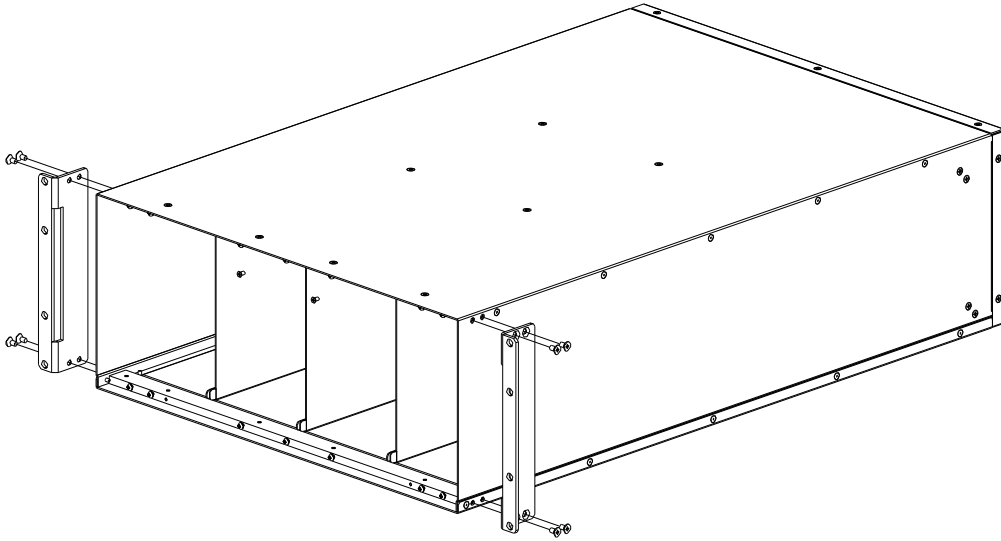
- 1 Secure the front of rail (SRTGRK2) with 10 (M5x12) screws.



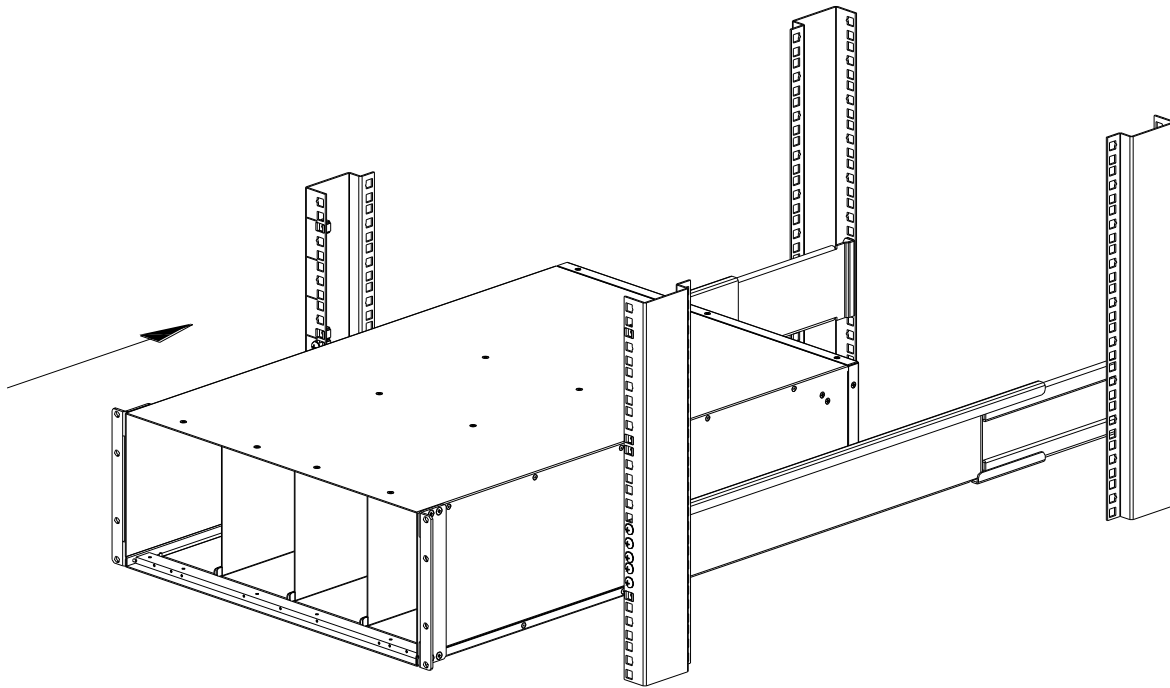
- 2 Secure the back of rail (SRTGRK2) with 8 (M5x12) screws.



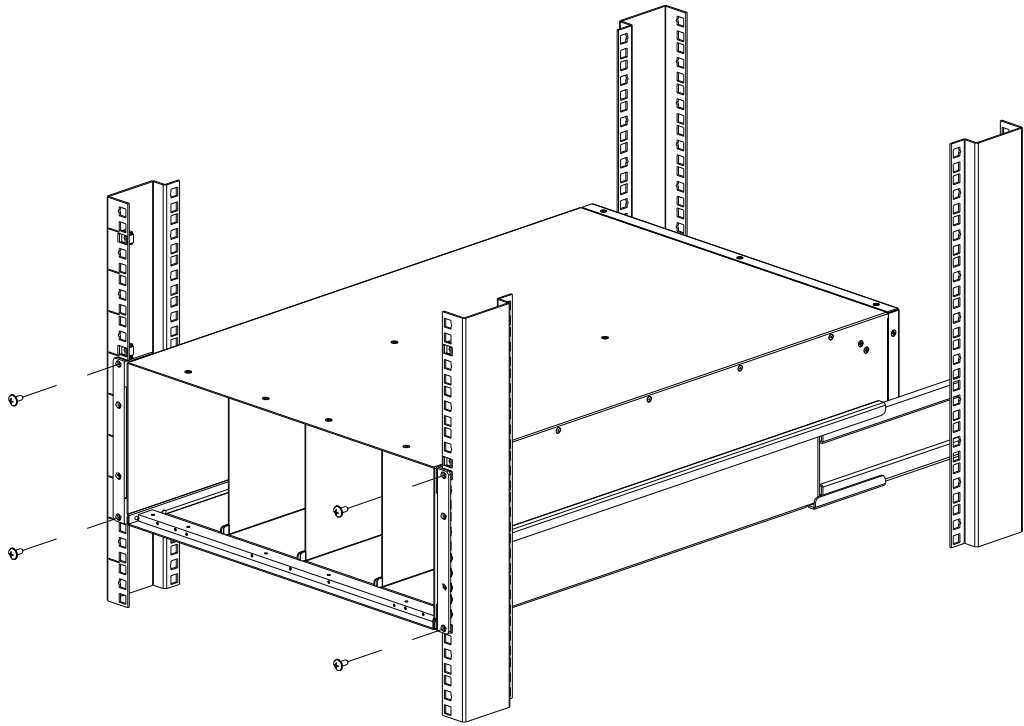
- 3 Secure the rack-mount brackets to battery pack with 8 (M4x8) screws.



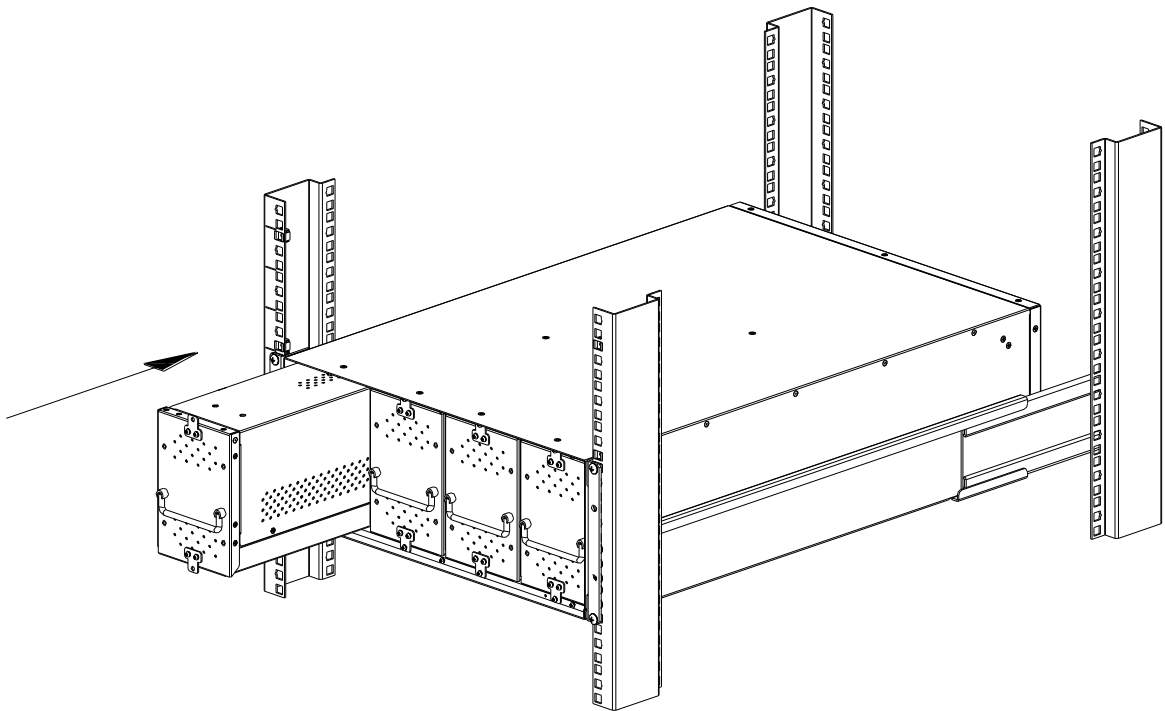
- 4 Rest the XLBP on the rail (SRTGRK2) shelves.
Slide the XLBP into the rack.



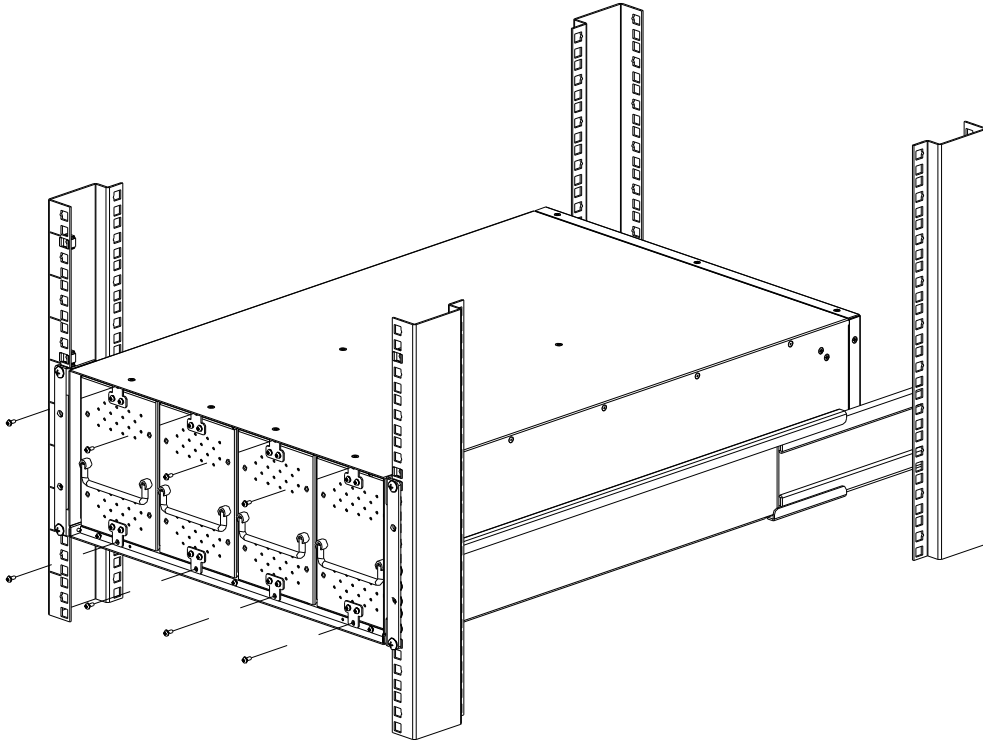
- 5 Secure rack-mount brackets to the rack with 4 (M5x12) screws.



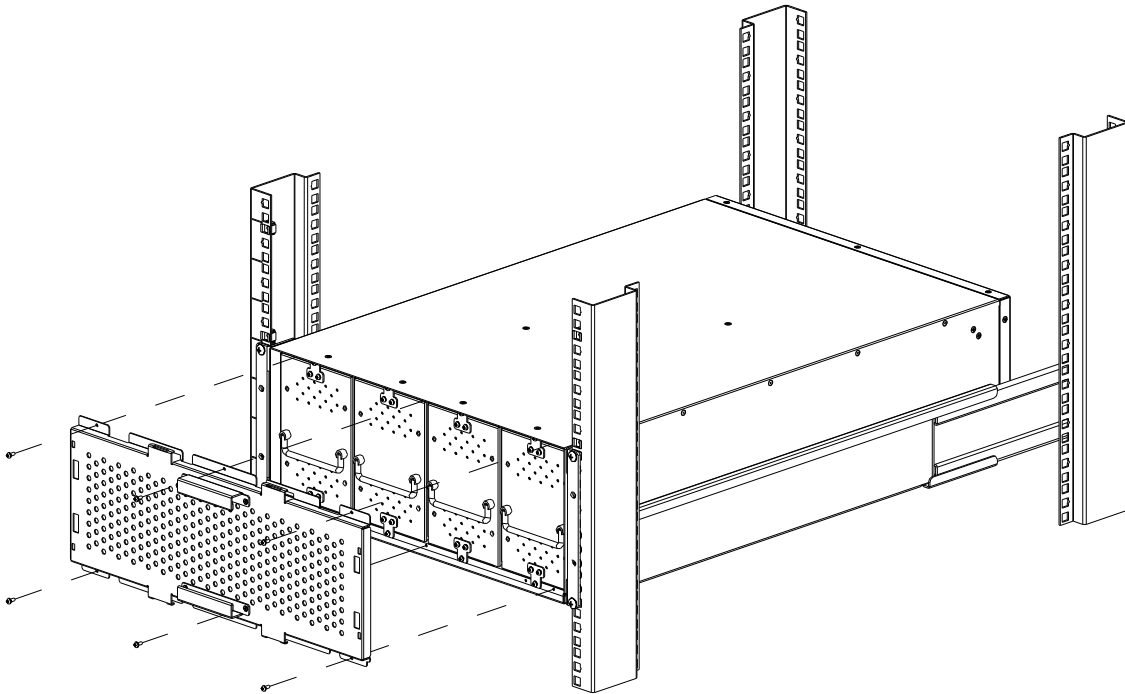
- 6 Install four battery modules.



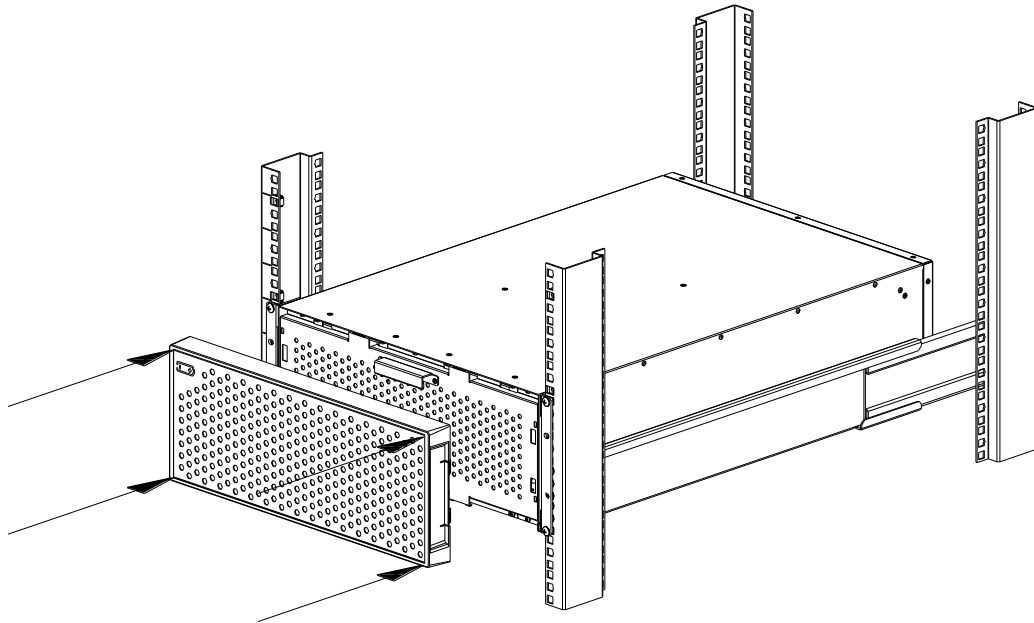
- 7 Secure the battery modules to the battery pack with 8 (M3x8) screws.



- 8 Secure the battery compartment door to the battery pack with 6 (M3x8) screws.



- 9 Install the front bezel of XLBP.



Tower to Rack-Mount Conversion of UPS with XLBP

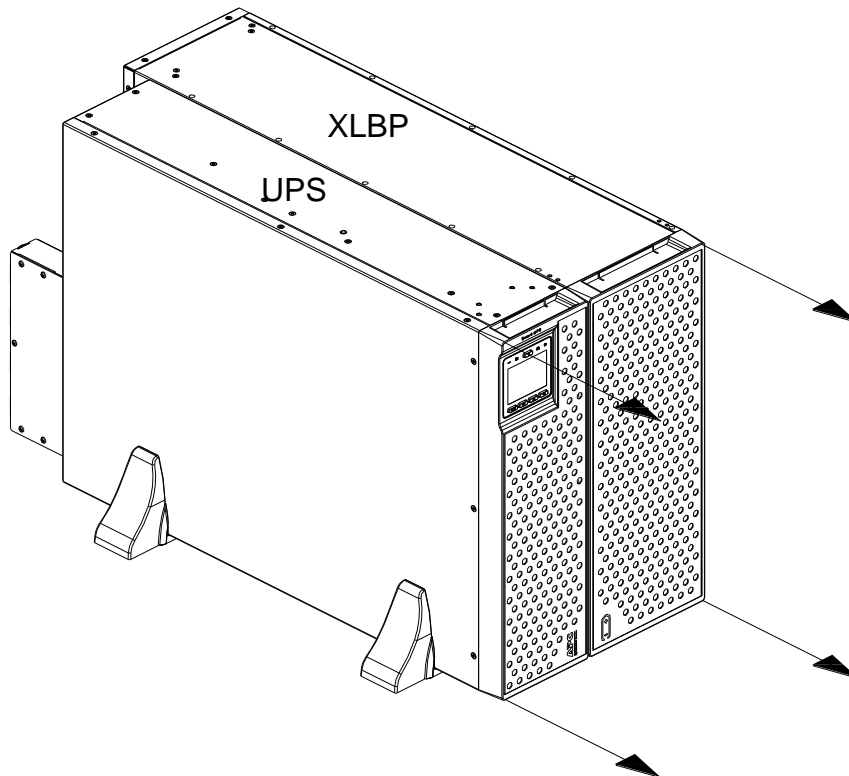
⚠ CAUTION

RISK OF FALLING OBJECTS

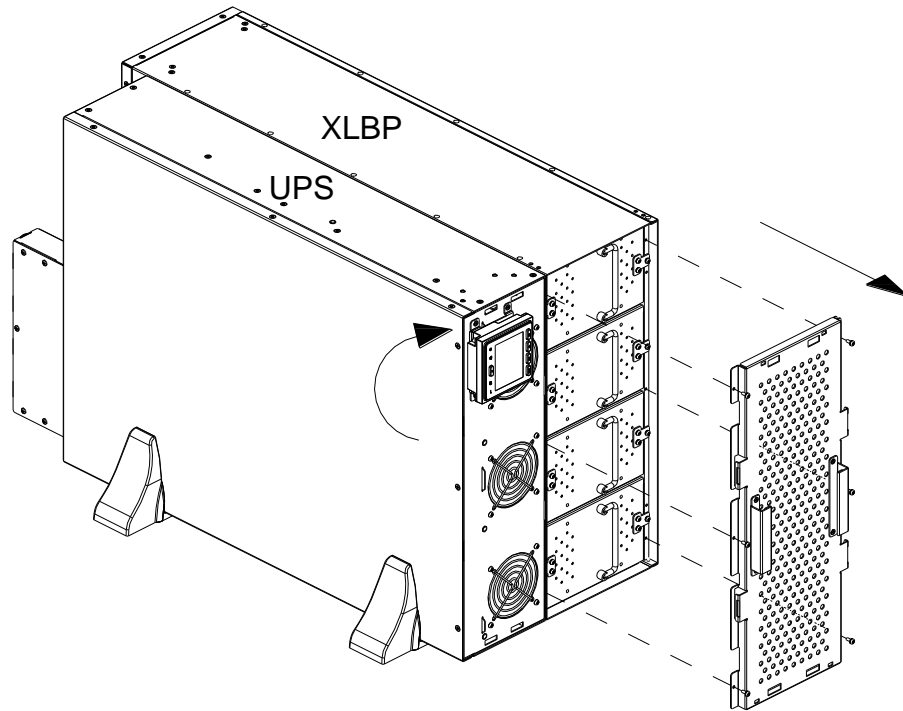
- The equipment is heavy. Each battery module weighs 24.5 kg (54 lb).
- Always practice safe lifting techniques adequate for the weight of the equipment.
- Remove the battery modules before installing the UPS.
- Use the battery module handle to carefully slide the battery module in or out of the unit.
- Do not use the battery module handle to lift or carry the battery module.
- Place the UPS on the table to remove the mounting base.
- Always install the UPS at the bottom of the rack.
- Always install the XLBP below the UPS in the rack.

Failure to follow these instructions can result in equipment damage and minor or moderate injury.

1

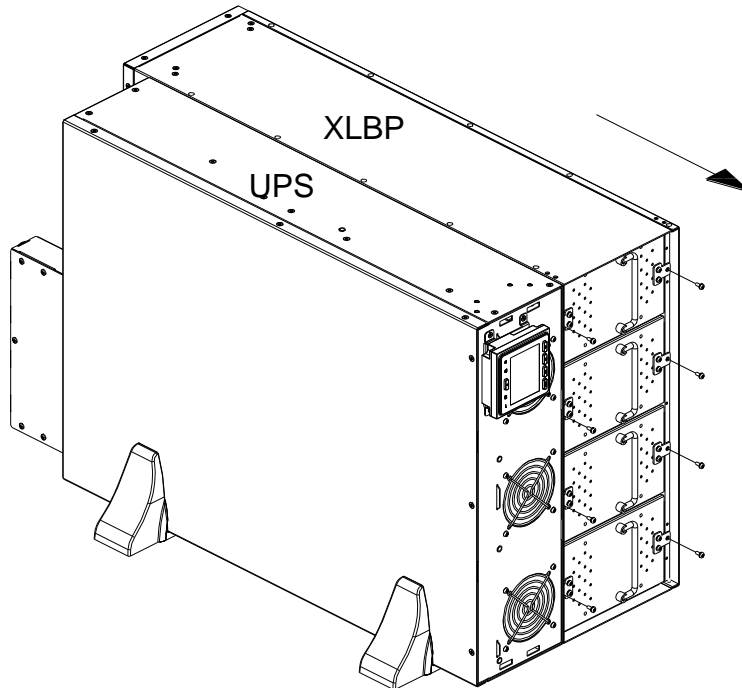


2

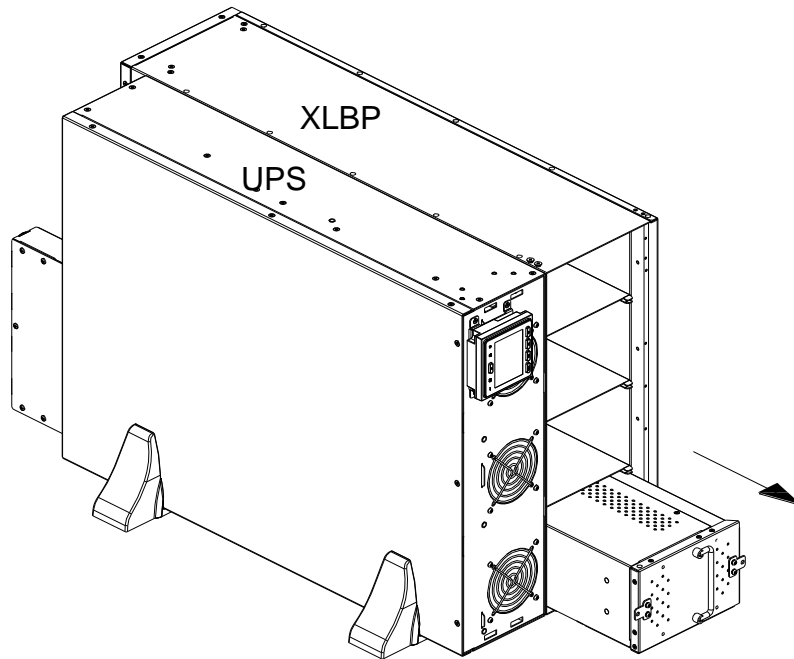


Note: Rotate the LCD of UPS module 90 degrees to the right.

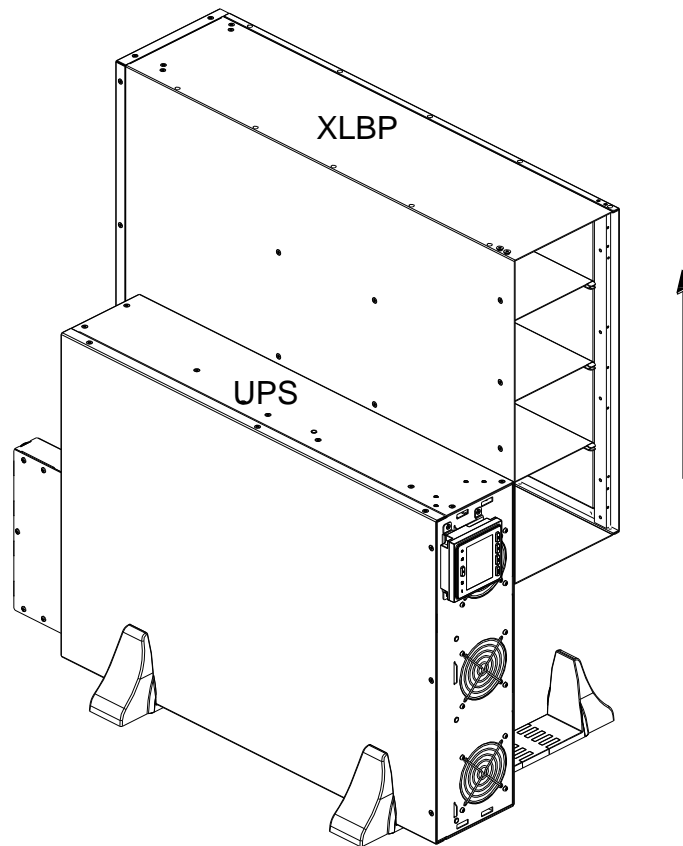
3



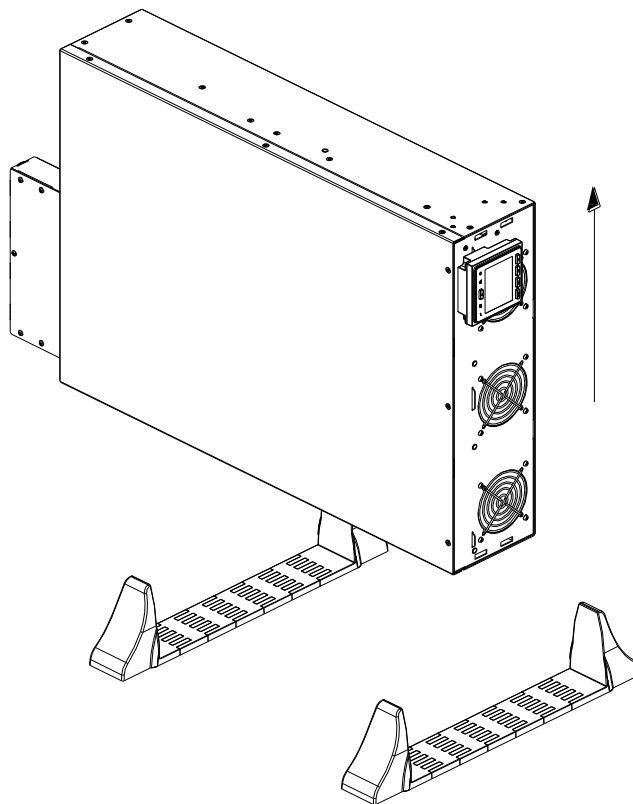
4



5



6



Install UPS with XLBP in Rack

The XLBP installation process is identical for all models.

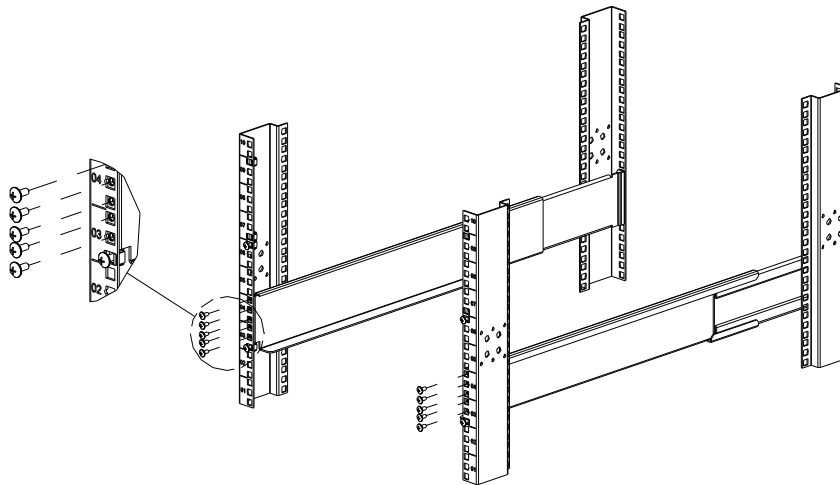
⚠ CAUTION

RISK OF FALLING OBJECTS

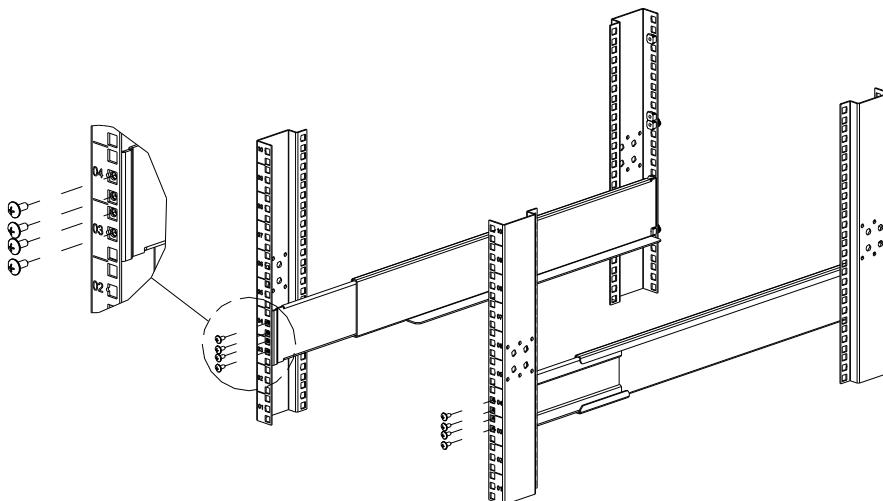
- The equipment is heavy. Always practice safe lifting techniques adequate for the weight of the equipment.
- Always use the recommended number of screws to secure brackets to the UPS.
- Always use the recommended number of screws to secure the UPS to the rack.
- Always install the XLBP at the bottom of the rack.
- Always install the XLBP below the UPS in the rack.
- Use the battery module handle to slide the battery modules in or out of the XLBP.
- Do not use the battery module handle to lift or carry the battery module.

Failure to follow these instructions can result in equipment damage and minor or moderate injury.

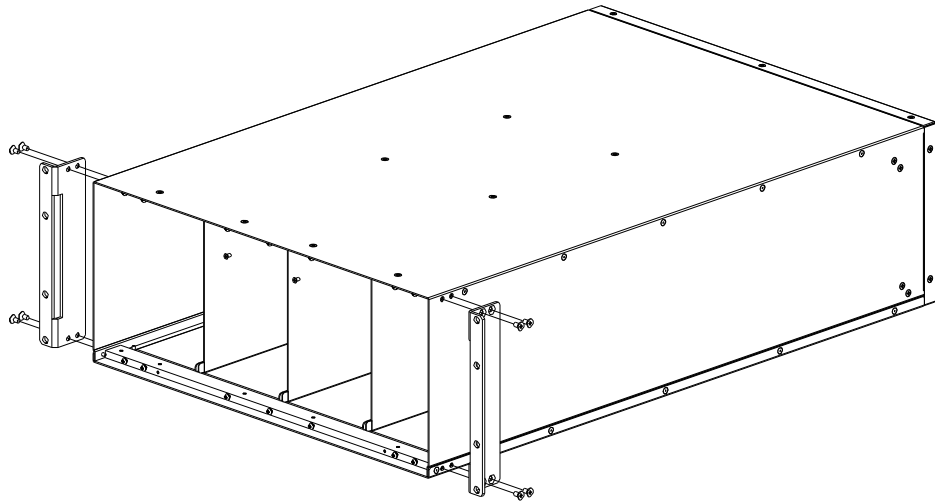
- 1 Secure the front of rail (SRTGRK2) with 10 (M5x12) screws.



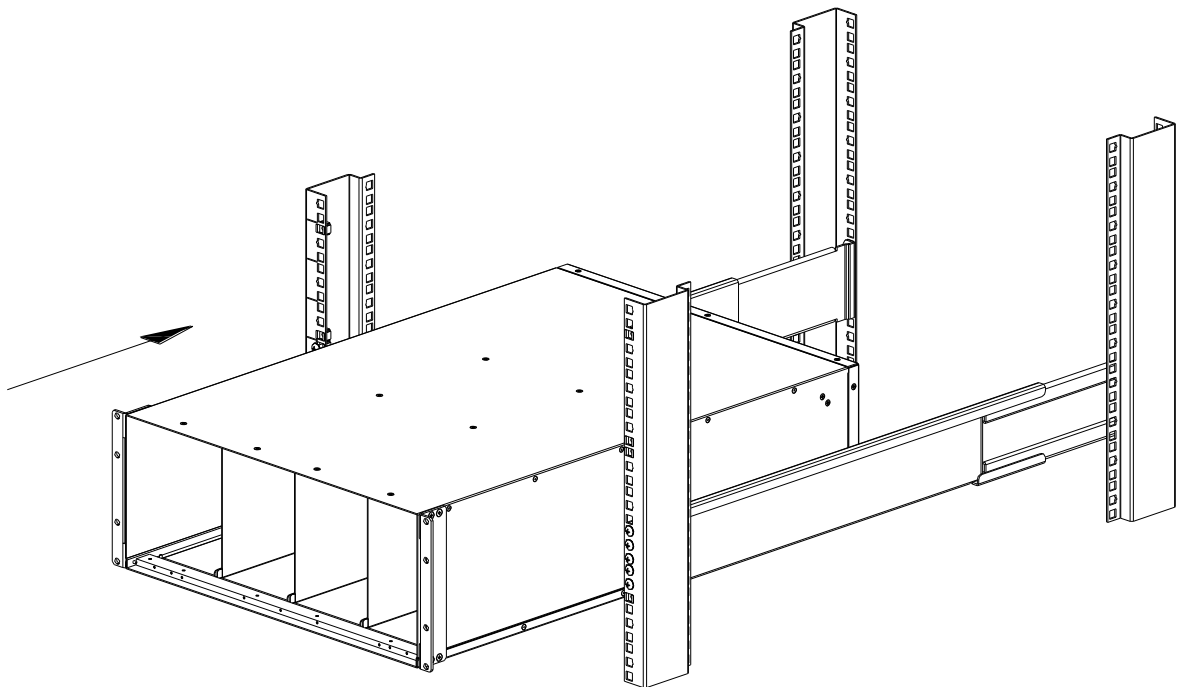
- 2 Secure the back of rail (SRTGRK2) with 8 (M5x12) screws.



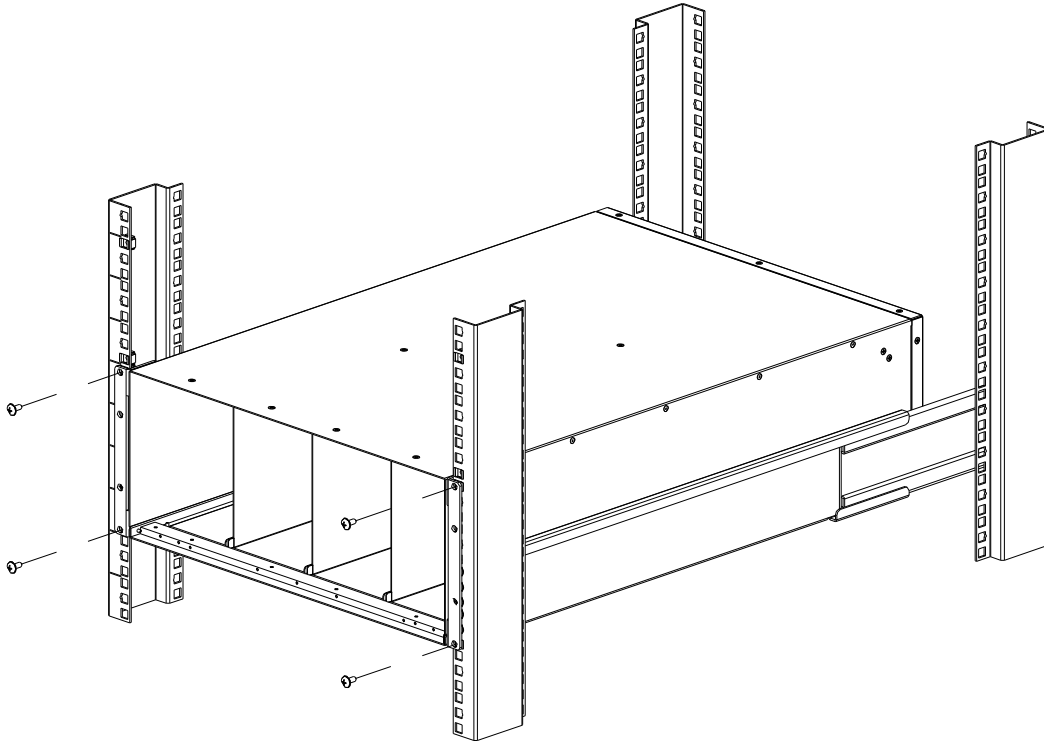
- 3 Secure the rack-mount brackets to battery pack with 8 (M4x8) screws.



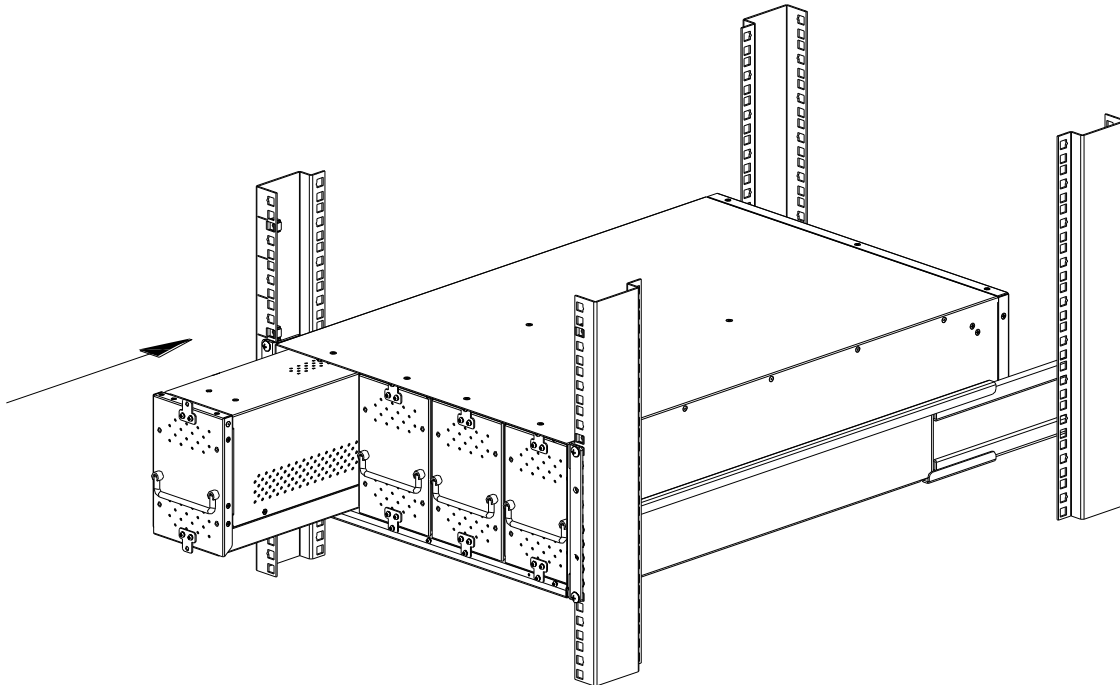
- 4 Rest the XLBP on the rail (SRTGRK2) shelves.
Slide the XLBP into the rack.



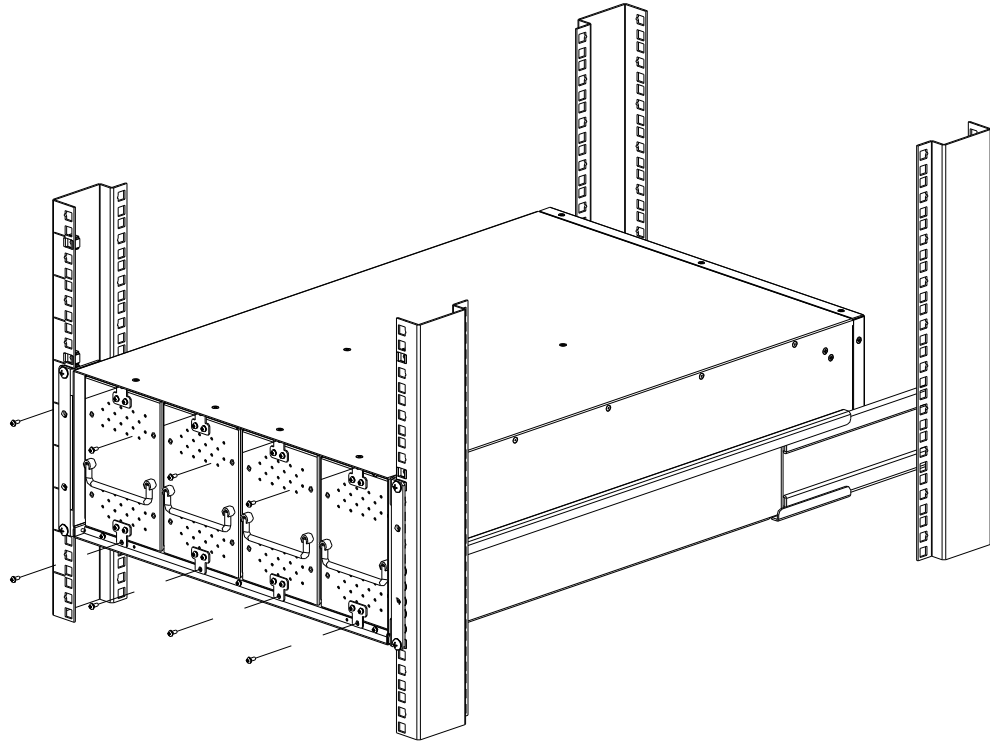
- 5 Secure the rack-mount to the rack with 4 (M5x12) screws.



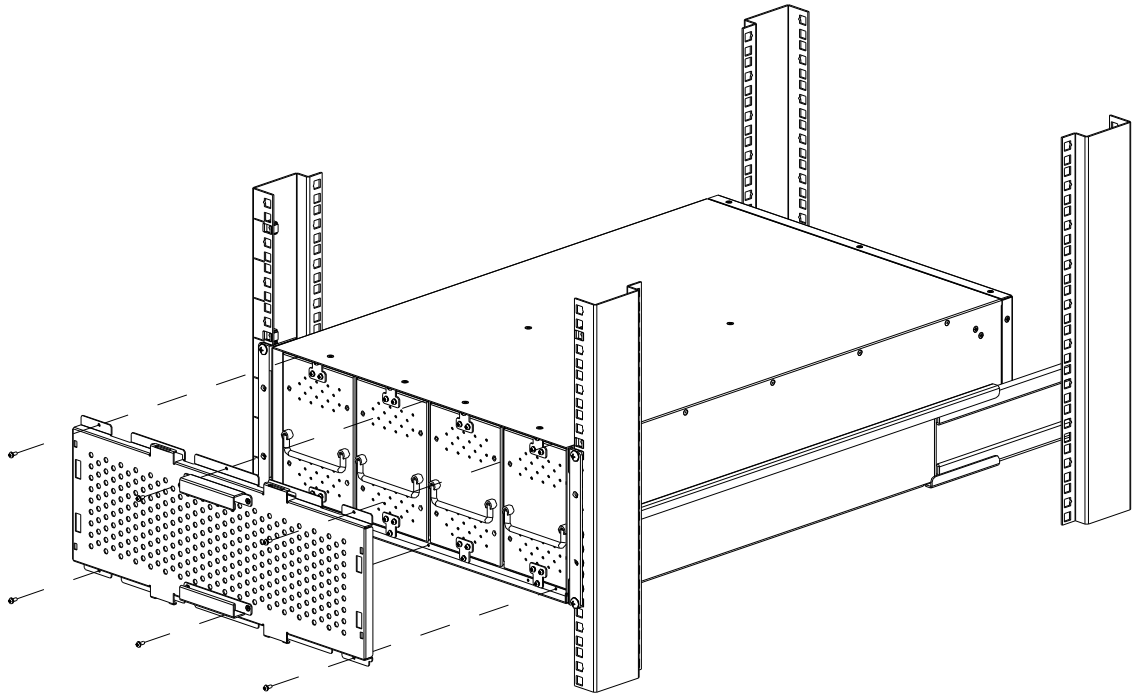
- 6 Install four battery modules.



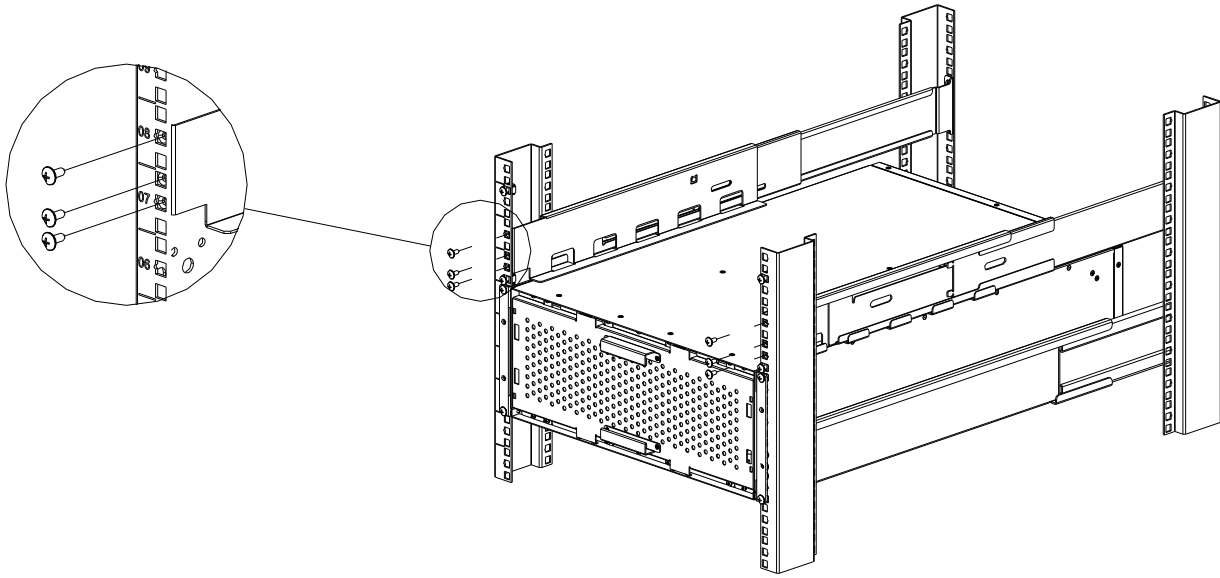
- 7 Secure the battery modules to the battery pack with 8 (M3x8) screws.



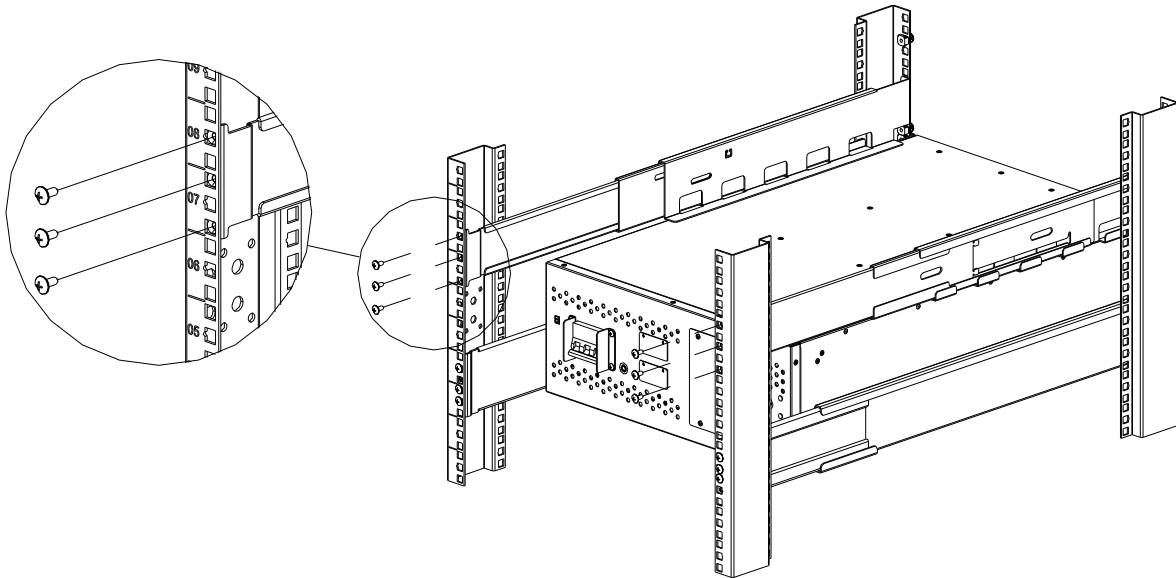
- 8 Secure the battery compartment door to the battery pack with 6 (M3x8) screws.



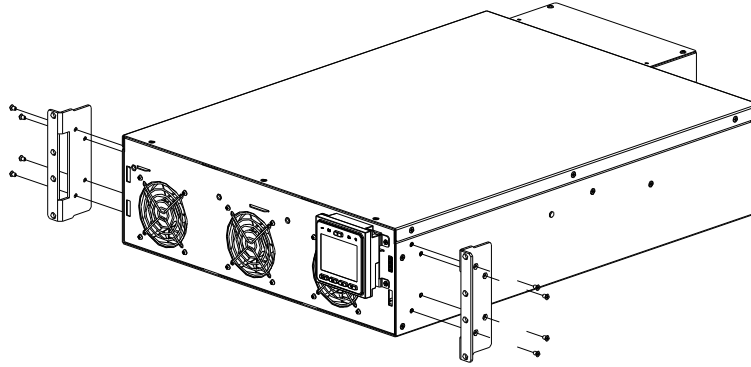
- 9 Secure the front of rail (SRTGRK1) with 6 (M5x12) screws.



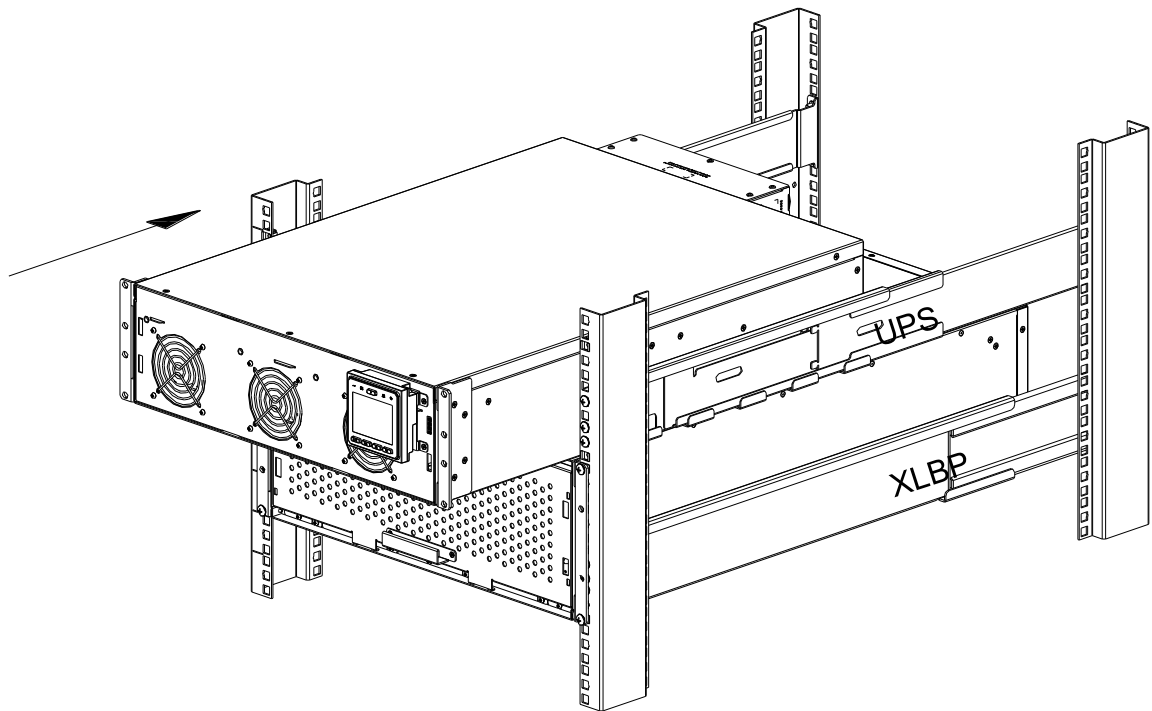
- 10 Secure the back of rail (SRTGRK1) with 6 (M5x12) screws.



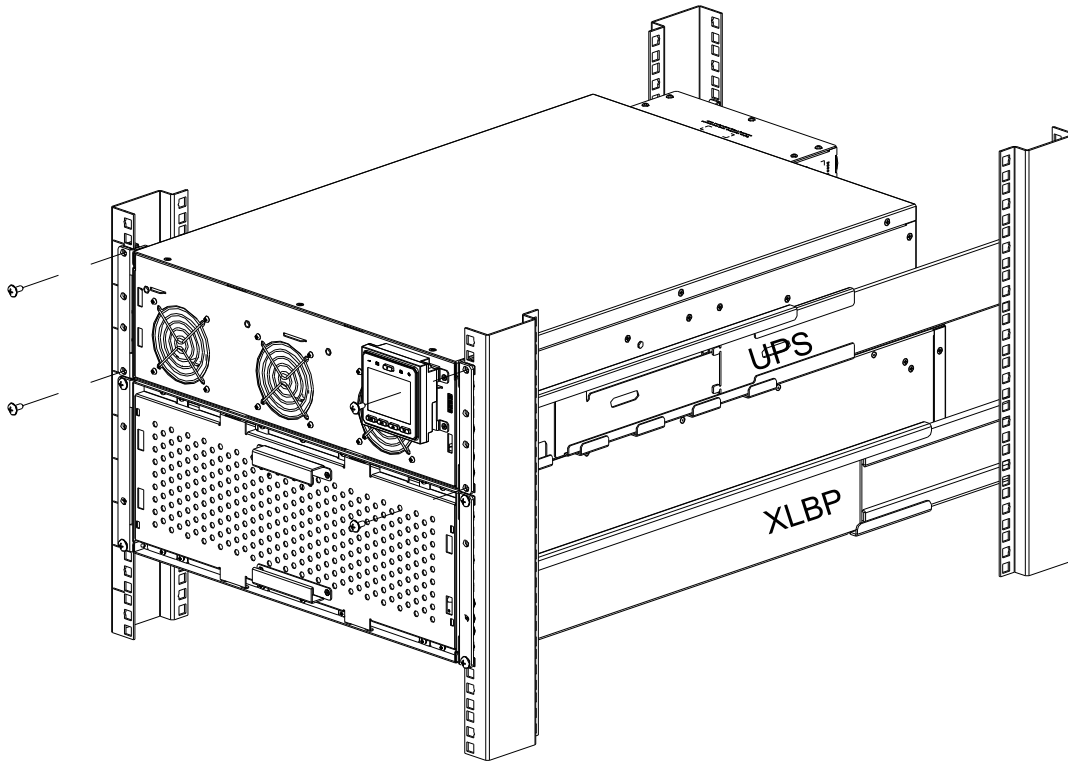
- 11 Secure the rack-mount brackets to UPS module with 8 (M4x6) screws.



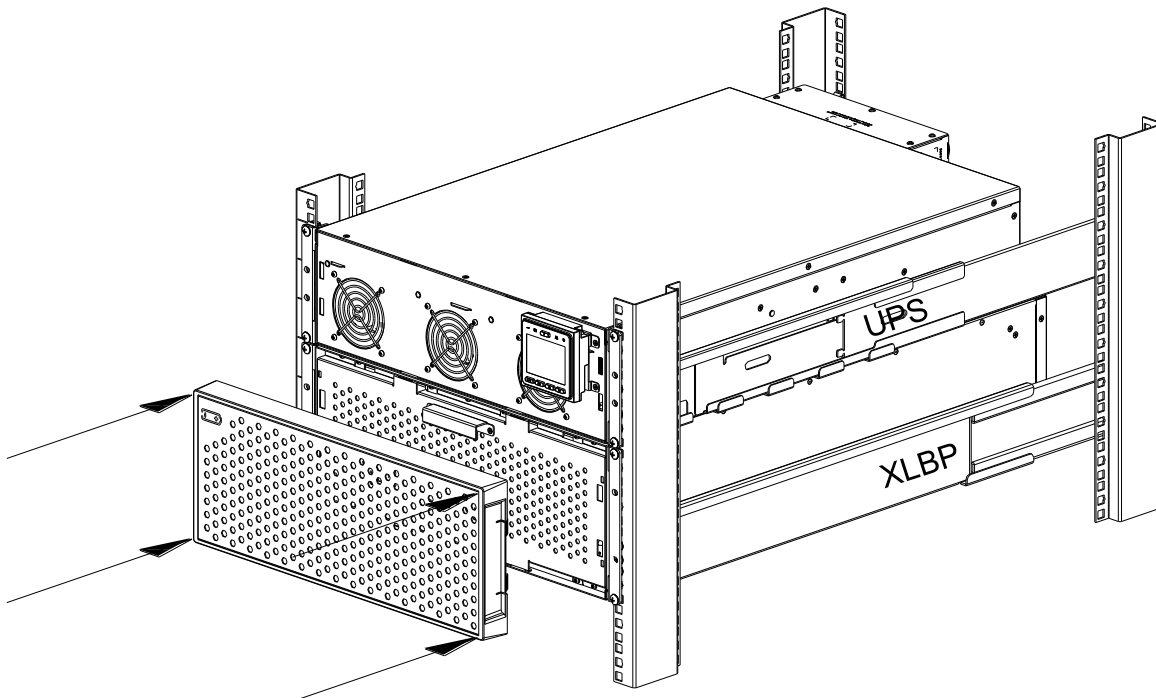
- 12 Rest the UPS module on the rail (SRTGRK1) shelves.
Slide the UPS module into the rack.



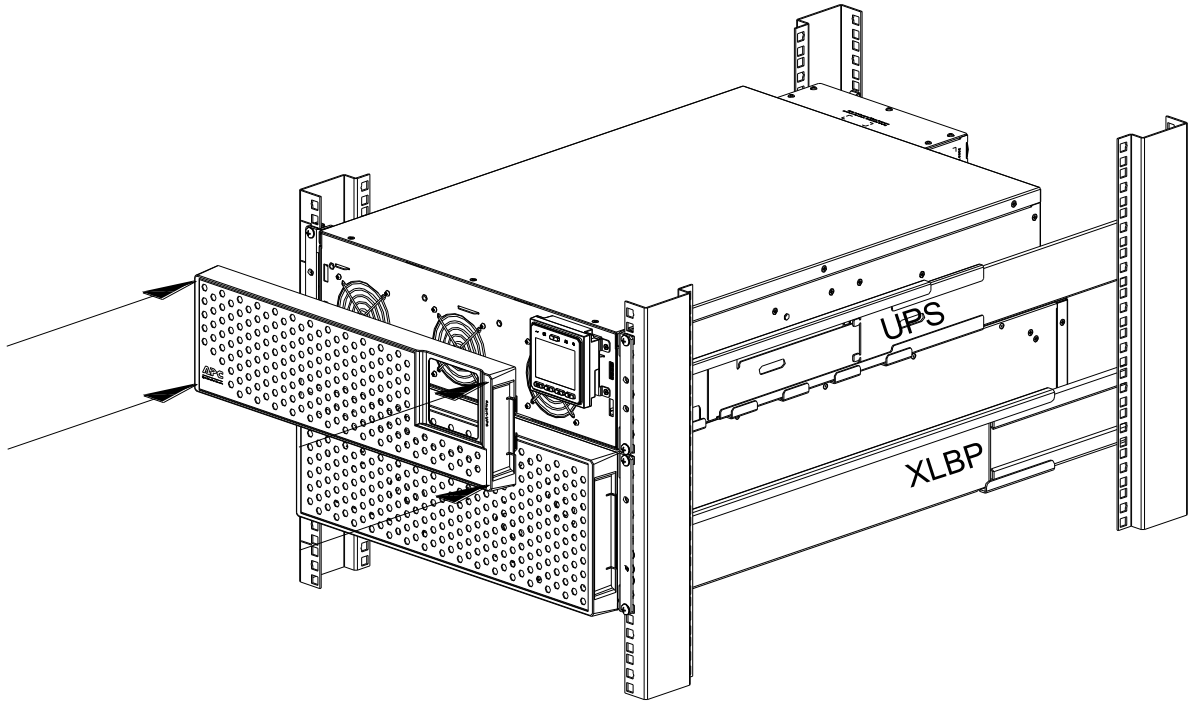
- 13 Secure the rack-mount brackets to the rack with 4 (M5x12) screws.



- 14 Install the front bezel of battery pack.



- 15 Install the front bezel of UPS module.



APC by Schneider Electric Worldwide Customer Support

Customer support for this or any other APC™ by Schneider Electric product is available at no charge in any of the following ways:

- Visit the APC by Schneider Electric Web site to access documents in the APC by Schneider Electric Knowledge Base and to submit customer support requests.
- **www.apc.com** (Corporate Headquarters)
Connect to localized APC by Schneider Electric Web sites for specific countries, each of which provides customer support information.
- **www.apc.com/support/**
Global support searching APC by Schneider Electric Knowledge Base and using e-support.
- Contact APC by Schneider Electric Customer Support Center by telephone or e-mail.
- Local, country specific centers: go to **www.apc.com/support/contact** for contact information.

For information on how to obtain local customer support, contact the APC by Schneider Electric representative or other distributor from whom you purchased your APC by Schneider Electric product.

Customer support and warranty information are available on the APC by Schneider Electric Web site, **www.apc.com**.

© 2020 APC by Schneider Electric. APC, the APC logo, and Smart-UPS are owned by Schneider Electric Industries S.A.S., or their affiliated companies. All other trademarks are property of their respective owners.

EN 990-91335
09/2020