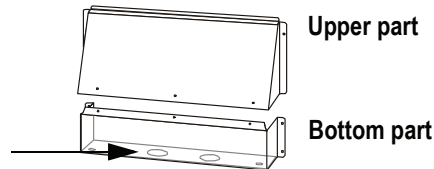


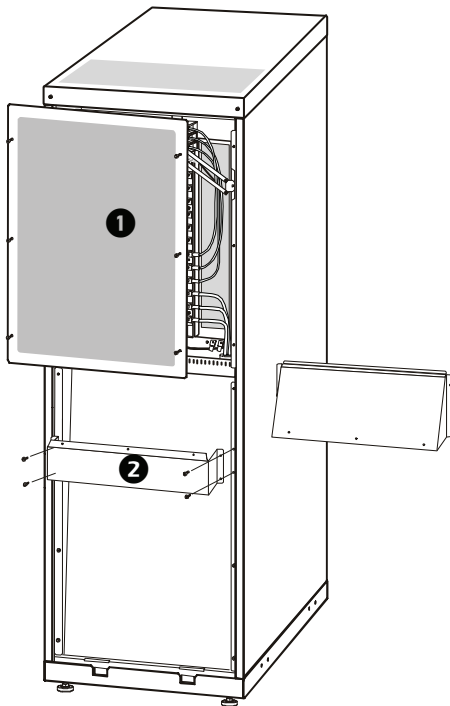
## Installation - Conduit Box for Smart-UPS<sup>®</sup> VT and MGE<sup>™</sup> Galaxy<sup>™</sup> 3500

### Prepare the conduit box for conduits attachment

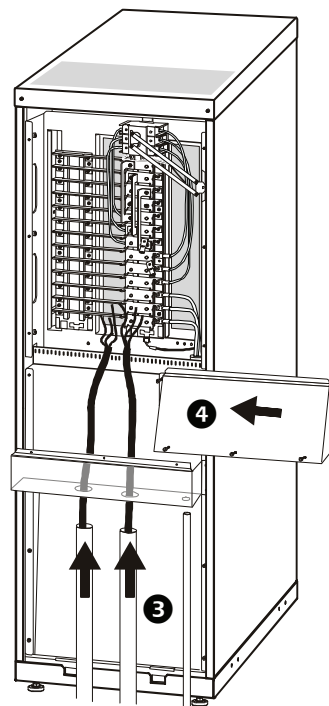


Punch as many holes as needed in the marked areas of the conduit box bottom to fit the size of the conduit pipes.

### Attach the conduit box



1. Remove the cable landing cover.
2. Attach the bottom box to the enclosure (screws provided).



3. Install conduit pipes in the conduit box, and run the cables into the cable landing area.
4. Attach the upper part of the conduit box (screws provided).



See the installation manual delivered with the UPS unit for further information on how to install the power cables.

